

Protector® QS Series

PROTECTOR® QS SERIES Standby Generators Liquid-Cooled Gaseous Engine

INCLUDES:

- Two-Line LCD Multilingual Digital Evolution™ Controller (English/Spanish/French/Portuguese) with external viewing window for easy indication of generator status and breaker position.
- True Power™ Electrical Technology
- Isochronous Electronic Governor
- Sound Attenuated Enclosure
- Closed Coolant Recovery System
- Smart Battery Charger
- UV/Ozone Resistant Hoses
- ±1% Voltage Regulation
- Natural Gas or LP Operation
- 5 Year Limited Warranty
- UL 2200 Listed
- SwRi® listed (NFPA37, clause 4.1.4.1.2)
Generator can be installed a minimum 18” distance from combustible wall*

*Only if located away from doors, windows, and fresh air intakes, and unless otherwise directed by local codes. Please review install guide for more details.

Standby Power Rating

Model RG022 (Aluminum - Bisque) - 22 kW 60 Hz
Model RG027 (Aluminum - Bisque) - 27 kW 60 Hz
Model RG032 (Aluminum - Bisque) - 32 kW 60 Hz
Model RG038 (Aluminum - Bisque) - 38 kW 60 Hz



QUIET-TEST™

*Assembled in the USA using domestic and foreign parts

Meets EPA Emission Regulations
22 & 27 kW are CA/MA emissions compliant
32 & 38 kW not for sale in CA / MA

FEATURES

- **INNOVATIVE DESIGN & PROTOTYPE TESTING** are key components of GENERAC'S success in "IMPROVING POWER BY DESIGN." But it doesn't stop there. Total commitment to component testing, reliability testing, environmental testing, destruction and life testing, plus testing to applicable CSA, NEMA, EGSA, and other standards, allows you to choose GENERAC POWER SYSTEMS with the confidence that these systems will provide superior performance.
- **TEST CRITERIA:**
 - ✓ PROTOTYPE TESTED
 - ✓ NEMA MG1-22 EVALUATION
 - ✓ SYSTEM TORSIONAL TESTED
 - ✓ MOTOR STARTING ABILITY
- **SOLID-STATE, FREQUENCY COMPENSATED VOLTAGE REGULATION.** This state-of-the-art power maximizing regulation system is standard on all Generac models. It provides optimized FAST RESPONSE to changing load conditions and MAXIMUM MOTOR STARTING CAPABILITY by electronically torque-matching the surge loads to the engine. Digital voltage regulation at ±1%.
- **SINGLE SOURCE SERVICE RESPONSE** from Generac's extensive dealer network provides parts and service know-how for the entire unit, from the engine to the smallest electronic component.
- **GENERAC TRANSFER SWITCHES.** Long life and reliability are synonymous with GENERAC POWER SYSTEMS. One reason for this confidence is the GENERAC product line is offered with its own transfer systems and controls for total system compatibility.

22 • 27 • 32 • 38

GENERAC®

application & engineering data

GENERATOR SPECIFICATIONS

Type	Synchronous
Rotor Insulation Class	H (22 & 27 kW) or F (32 & 38 kW)
Stator Insulation Class	H
Telephone Interference Factor (TIF)	<50
Alternator Output Leads 1-Phase	4 wire
Alternator Output Leads 3-Phase	6 wire
Bearings	Sealed Ball
Coupling	Flexible Disc
Excitation System	Direct

VOLTAGE REGULATION

Type	Electronic
Sensing	Single Phase
Regulation	± 1%

GOVERNOR SPECIFICATIONS

Type	Electronic
Frequency Regulation	Isochronous
Steady State Regulation	± 0.25%

ELECTRICAL SYSTEM

Battery Charge Alternator	12 Volt 30 Amp
Static Battery Charger	2.5 Amp
Recommended Battery (battery not included)	Group 26 (22, 27, 32 & 38 kW)
System Voltage	12 Volts

GENERATOR FEATURES

Revolving field heavy duty generator Directly connected to the engine Operating temperature rise 120 °C above a 40 °C ambient Class H insulation is NEMA rated Class F insulation is NEMA rated All models fully prototyped tested

ENCLOSURE FEATURES

Aluminum weather protective enclosure	Ensures protection against mother nature. Electrostatically applied textured epoxy paint for added durability.
Enclosed critical grade muffler	Quiet, critical grade muffler is mounted inside the unit to prevent injuries.
Small, compact, attractive	Makes for an easy, eye appealing installation.
SAE	Sound attenuated enclosure ensures quiet operation.

ENGINE SPECIFICATIONS: 22, 27, 32 & 38 kW

Make	Generac
Model	In-line
Cylinders	4
Displacement (Liters)	2.4
Bore (in/mm)	3.41/86.5
Stroke (in/mm)	3.94/100
Compression Ratio	9.5:1
Intake Air System	Naturally Aspirated (22 & 27 kW) or Turbocharged/Aftercooled (32 & 38 kW)
Lifter Type	Hydraulic

ENGINE LUBRICATION SYSTEM

Oil Pump Type	Gear
Oil Filter Type	Full flow spin-on cartridge
Crankcase Capacity (qt/l)	4/3.8 (22, 27, 32 & 38 kW)

ENGINE COOLING SYSTEM

Type	Closed
Water Pump	Belt driven
Fan Speed (rpm)	1980 - 22 & 27 kW 1500 - 32 & 38 kW
Fan Diameter (in/mm)	18.1/459.7 (22 & 27 kW) or 22/558.8 (32 & 38 kW)
Fan Mode	Pusher (22 & 27 kW) or Puller (32 & 38 kW)

FUEL SYSTEM

Fuel Type	Natural gas, propane vapor
Carburetor	Down Draft
Secondary Fuel Regulator	Standard
Fuel Shut Off Solenoid	Standard
Operating Fuel Pressure	5-14" water column/9-26 mm HG
LP Fuel Pressure	11- 14" Water Column
NG Fuel Pressure	5 - 14" Water Column

22 • 27 • 32 • 38

GENERATOR OUTPUT VOLTAGE/kW - 60 Hz

		kW LPG	Amp LPG	kW Nat. Gas	Amp Nat. Gas	CB Size (Both)
RG022	120/240 V, 1Ø, 1.0 pf	22	92	22	92	100
	120/208 V, 3Ø, 0.8 pf	22	76	22	76	80
	120/240 V, 3Ø, 0.8 pf	22	66	22	66	80
RG027	120/240 V, 1Ø, 1.0 pf	27	113	25	104	125
	120/208 V, 3Ø, 0.8 pf	27	94	25	87	100
	120/240 V, 3Ø, 0.8 pf	27	81	25	75	90
RG032	120/240 V, 1Ø, 1.0 pf	32	133	32	133	150
	120/208 V, 3Ø, 0.8 pf	32	111	32	111	125
	120/240 V, 3Ø, 0.8 pf	32	96	32	96	100
	277/480 V, 3Ø, 0.8 pf	32	48	32	48	60
RG038	120/240 V, 1Ø, 1.0 pf	38	158	38	158	175
	120/208 V, 3Ø, 0.8 pf	38	132	38	132	150
	120/240 V, 3Ø, 0.8 pf	38	114	38	114	125
	277/480 V, 3Ø, 0.8 pf	38	57	38	57	60

SURGE CAPACITY IN AMPS

		Voltage Dip @ < .4 pf	
		15%	30%
RG022	120/240 V, 1Ø	55	135
	120/208 V, 3Ø	40	92
	120/240 V, 3Ø	35	80
RG027	120/240 V, 1Ø	62	170
	120/208 V, 3Ø	70	120
	120/240 V, 3Ø	61	103
RG032	120/240 V, 1Ø	75	180
	120/208 V, 3Ø	87	210
	120/240 V, 3Ø	75	182
	277/480 V, 3Ø	36	87
RG038	120/240 V, 1Ø	75	180
	120/208 V, 3Ø	87	210
	120/240 V, 3Ø	75	182
	277/480 V, 3Ø	36	87

ENGINE FUEL CONSUMPTION

		Natural Gas		Propane		
		(ft³/hr)	(m³/hr)	(gal/hr)	(ft³/hr)	(l/hr)
RG022	Exercise cycle	42	1.2	0.44	16	1.7
	25% of rated load	100	2.8	1.1	40	4.2
	50% of rated load	190	5.4	2.1	75	7.8
	75% of rated load	255	7.2	2.8	101	10.5
	100% of rated load	316	9	3.4	125	13
RG027	Exercise cycle	42	1.2	0.44	16	1.7
	25% of rated load	108	3.1	1.2	43	4.5
	50% of rated load	197	5.6	2.1	78	8.1
	75% of rated load	287	8.2	3.1	114	11.8
	100% of rated load	359	10.2	3.9	143	14.8
RG032	Exercise cycle	79	2.2	0.8	30	3.2
	25% of rated load	144	4.1	1.7	60	6.3
	50% of rated load	226	6.4	2.7	97	10.3
	75% of rated load	298	8.2	3.7	132	13.9
	100% of rated load	375	10.6	4.6	166	17.5
RG038	Exercise cycle	83	2.3	0.9	31	3.2
	25% of rated load	162	4.6	1.7	62	6.6
	50% of rated load	255	7.2	2.9	103	10.8
	75% of rated load	345	9.8	4	142	15
	100% of rated load	437	12.4	5.2	185	19

Note: **Fuel pipe must be sized for full load.**

For Btu content, multiply ft³/hr x 2520 (LP) or ft³/hr x 1000 (NG)

For megajoule content, multiply m³/hr x 93.15 (LP) or m³/hr x 37.26 (NG)

Refer to "Emissions Data Sheets" for maximum fuel flow for EPA and SCAQMD permitting purposes.

STANDBY RATING: Standby ratings apply to installations served by a reliable utility source. The standby rating is applicable to varying loads for the duration of a power outage. There is no overload capability for this rating. Ratings are in accordance with ISO-3046-1. Design and specifications are subject to change without notice.

22 • 27 • 32 • 38

ENGINE COOLING

	22 kW	27 kW	32 & 38 kW
Air flow (inlet air including alternator and combustion air in cfm/cmm)	2400/68	2400/68	2200/62.3
System coolant capacity (gal/liters)	2.5/9.5	2.5/9.5	2.5/9.5
Heat rejection to coolant (BTU per hr/MJ per hr)	99,000/104.5	105,000/110.8	145,000/153
Maximum operation air temperature on radiator (°C/°F)	60/150		
Maximum ambient temperature (°C/°F)	50/140		

COMBUSTION REQUIREMENTS

Flow at rated power (cfm/cmm)	68/1.9	68/1.9	106/3
-------------------------------	--------	--------	-------

SOUND EMISSIONS

Sound output in dB(A) at 23 ft (7 m) with generator in exercise mode*	61	61	58
Sound output in dB(A) at 23 ft (7 m) with generator operating at normal load*	70	70	64

EXHAUST

Exhaust flow at rated output (cfm/cmm)	165/4.7	180/5.1	300/8.5
Exhaust temperature at muffler outlet (°C/°F)	482/900	538/1000	579/1075

ENGINE PARAMETERS

Rated Synchronous rpm	1800
-----------------------	------

POWER ADJUSTMENT FOR AMBIENT CONDITIONS

Temperature Deration	3% for every 10 °C above 25 °C or 1.65% for every 10 °F above 77 °F
Altitude Deration (22 & 27 kW)	1% for every 100 m above 183 m or 3% for every 1000 ft above 600 ft
Altitude Deration (32 & 38 kW)	1% for every 100 m above 915 m or 3% for every 1000 ft above 3000 ft

CONTROLLER FEATURES

Two-Line Plain Text LCD Display	Simple user interface for ease of operation.
Mode Switch: Auto	Automatic Start on Utility failure. 7 day exerciser
Off	Stops unit. Power is removed. Control and charger still operate.
Manual	Start with starter control, unit stays on. If utility fails, transfer to load takes place.
Programmable start delay between 10-30 seconds	10 sec standard
Engine Start Sequence	Cyclic cranking: 16 sec on, 7 rest (90 sec maximum duration)
Engine Warm-up	5 sec
Engine Cool-Down	1 min
Starter Lock-out	Starter cannot re-engage until 5 sec after engine has stopped.
Smart Battery Charger	Standard
Automatic Voltage Regulation with Over and Under Voltage Protection	Standard
Automatic Low Oil Pressure Shutdown	Standard
Overspeed Shutdown	Standard, 72 Hz
High Temperature Shutdown	Standard
Overcrank Protection	Standard
Safety Fused	Standard
Failure to Transfer Protection	Standard
Low Battery Protection	Standard
50 Event Run Log	Standard
Future Set Capable Exerciser	Standard
Incorrect Wiring Protection	Standard
Internal Fault Protection	Standard
Common External Fault Capability	Standard
Governor Failure Protection	Standard

Model #	Product	Description
G0071690	Mobile Link® 4G LTE Cellular Accessory	Generac's Mobile Link allows you to check the status of your generator from anywhere that you have access to an Internet connection from a PC or with any smart device. You will even be notified when a change in the generator's status occurs via e-mail or text message. Note: Harness Adapter Kit required. Available in the U.S. only.
G006478-0	Kit, Adapter Mobile Link L/C (Required for QT and RG Series)	The Harness Adapter Kit is required to make liquid-cooled units compatible with Mobile Link®.
G005630-1 - 22, 27, 32 & 38 kW	Cold Weather Kit	If the temperature regularly falls below 32 °F (0 °C), install a cold weather kit to maintain optimal battery temperature. Kit consists of battery warmer with thermostat built into the wrap.
G005616-0 - 22, 27, 32 & 38 kW	Extreme Cold Weather Kit	Recommended where the temperature regularly falls below 32 °F (0 °C) for extended periods of time. For liquid cooled units only.
G005651-0	Base Plug Kit	Add base plugs to the base of the generator to keep out debris.
G005703-0 - Bisque	Paint Kit	If the generator enclosure is scratched or damaged, it is important to touch-up the paint to protect from future corrosion. The paint kit includes the necessary paint to properly maintain or touch-up a generator enclosure.
G005656-0 - 22 & 27 kW G005984-0 - 32 & 38 kW	Scheduled Maintenance Kit	The Liquid-Cooled Scheduled Maintenance Kits offer all the hardware necessary to perform complete maintenance on Generac liquid-cooled generators.
G006664-0	Local Wireless Monitor	Completely wireless and battery powered, Generac's wireless remote monitor provides you with instant status information without ever leaving the house.
G006665-0	Wireless Remote Extension Harness	Recommended for use with the Wireless Remote on units up to 60 kW, required for use on units 70 kW or greater.
G006873-0	Smart Management Module (50 Amps)	Smart Management Modules are used in conjunction with the Automatic Transfer Switch to increase its power management capabilities. It provides additional power management flexibility not found in any other power management system.
G007993-0	E-stop toggle switch for residential installs to NEC2017	E-stop allows for immediate fuel shutoff and generator shutdown in the event of an emergency.
G006510-0	E-Stop resettable switch for commercial installs to NEC2020	E-stop allows for immediate fuel shutoff and generator shutdown in the event of an emergency.
G007005-0	Wi-Fi LP Fuel Level Monitor	The Wi-Fi enabled LP fuel level monitor provides constant monitoring of the connected LP fuel tank. Monitoring the LP tank's fuel level is an important step in making sure your generator is ready to run during an unexpected power failure. Status alerts are available through a free application to notify when your LP tank is in need of a refill.

22 & 27 kW

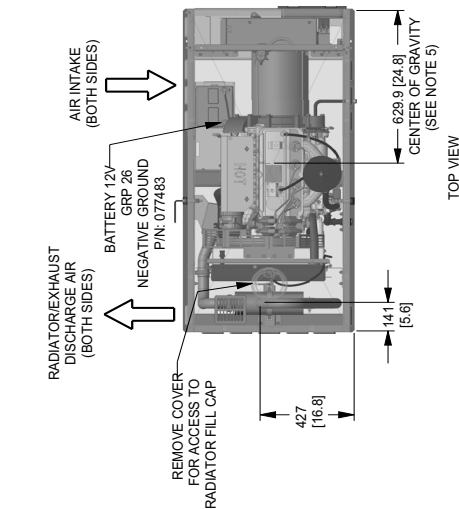
Drawing #0K8624-C (1 of 2)

installation layout

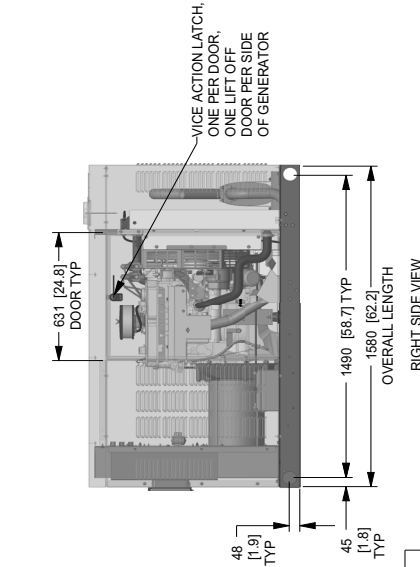
- NOTES:**
- MINIMUM RECOMMENDED CONCRETE PAD SIZE: 1092 (43") WIDE X 1885 (74.2") LONG. REFERENCE INSTALLATION GUIDE SUPPLIED WITH UNIT FOR CONCRETE PAD GUIDELINES.
 - ALLOW SUFFICIENT ROOM ON ALL SIDES OF THE GENERATOR FOR MAINTENANCE AND SERVICING. THIS UNIT MUST BE INSTALLED IN ACCORDANCE WITH CURRENT APPLICABLE NFPA 37 AND NFPA 70 STANDARDS AS WELL AS ANY OTHER FEDERAL, STATE, AND LOCAL CODES.
 - CONTROL PANEL / CIRCUIT BREAKER INFORMATION:
 - SEE SPECIFICATION SHEET OR OWNERS MANUAL.
 - ACCESSIBLE THROUGH CUSTOMER ACCESS ASSEMBLY DOOR ON REAR OF GENERATOR.
 - REMOVE THE REAR ENCLOSURE COVER PANEL TO ACCESS THE STUB-UP AREAS AS FOLLOWS:
 - HIGH VOLTAGE CONNECTION INCLUDING AC LOAD LEAD CONDUIT CONNECTION
 - NEUTRAL CONNECTION, BATTERY CHARGER 120 VOLT AC (0.5 AMP MAX) CONNECTION.
 - LOW VOLTAGE CONNECTION INCLUDING TRANSFER SWITCH CONTROL WIRES.
 - CENTER OF GRAVITY AND WEIGHT MAY CHANGE DUE TO UNIT OPTIONS.
 - BOTTOM OF GENERATOR SET MUST BE ENCLOSED TO PREVENT PEST INTRUSION AND RECIRCULATION OF DISCHARGE AIR AND/OR IMPROPER COOLING AIR FLOW.
 - REFERENCE OWNERS MANUAL FOR LIFTING WARNINGS.
 - MOUNTING BOLTS OR STUDS TO MOUNTING SURFACE SHALL BE 5/8"-11 GRADE 5 (USE STANDARD SAE TORQUE SPECS)
 - NEVER ALLOW FREE FLOW OF INTAKE AIR, DISCHARGE AIR AND EXHAUST. SEE SPEC SHEET FOR MINIMUM AIR FLOW AND MAXIMUM RESTRICTION REQUIREMENTS.
 - GENERATOR MUST BE INSTALLED SUCH THAT FRESH COOLING AIR IS AVAILABLE AND THAT DISCHARGE AIR FROM RADIATOR IS NOT RECIRCULATED.
 - EXHAUST MUFFLER AND FAN BELT ENCLOSED WITHIN GENERATOR ENCLOSURE. REMOVE FRONT PANEL TO ACCESS.

SERVICE ITEM	2.4L
OIL FILL CAP	EITHER SIDE
OIL DIP STICK	RIGHT SIDE
OIL FILTER	RIGHT SIDE
OIL DRAIN HOSE	LEFT SIDE
RADIATOR DRAIN	LEFT SIDE
COOLANT RECOVERY BOTTLE	LEFT SIDE
RADIATOR FILL CAP	ROOF TOP
AIR CLEANER ELEMENT	LEFT SIDE
SPARK PLUGS	LEFT SIDE
MUFFLER	SEE NOTE 11
DRIVE BELT	EITHER SIDE
FAN BELT	SEE NOTE 11
BATTERY	LEFT SIDE

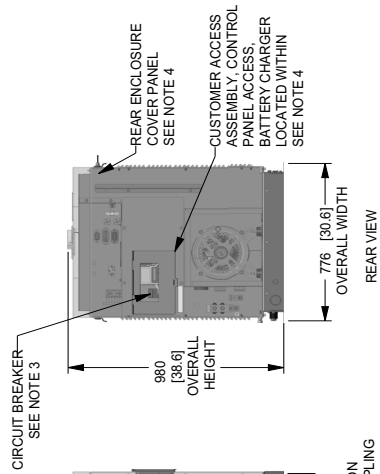
REFERENCE OWNERS MANUAL FOR PERIODIC REPLACEMENT PART LISTINGS.



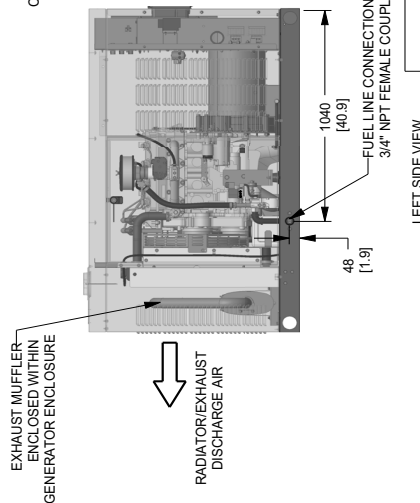
TOP VIEW



RIGHT SIDE VIEW



REAR VIEW



LEFT SIDE VIEW

ENGINE/KVA		ENCLOSURE MATERIAL		WEIGHT DATA	
ENGINE/KVA	KVA	ENCLOSURE MATERIAL	WEIGHT GENSET ONLY KG [LBS]	WEIGHT SHIPPING SKID KG [LBS]	SHIPPING WEIGHT KG [LBS]
2.4L 22KW (60HZ) SINGLE PHASE 22KVA (50HZ)	22	AL	410.5 [905]	30 [66]	440 [971]
2.4L 27KW (60HZ) SINGLE PHASE 27KVA (50HZ)	27	AL	426 [940]	30 [66]	456 [1006]

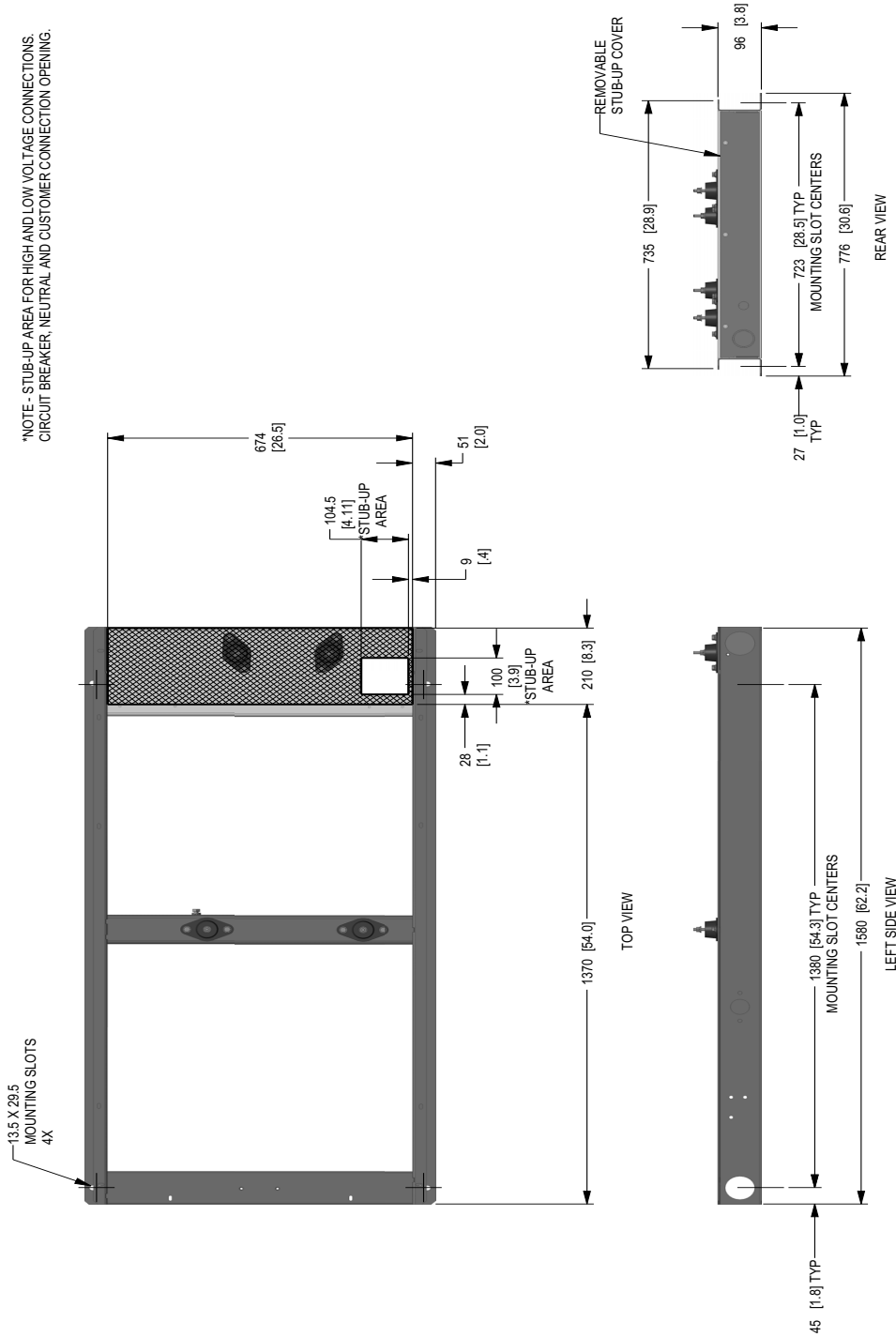
DIMENSIONS: MM [INCH]

22 & 27 kW

installation layout

Drawing #OK8624-C (2 of 2)

*NOTE - STUB-UP AREA FOR HIGH AND LOW VOLTAGE CONNECTIONS, CIRCUIT BREAKER, NEUTRAL, AND CUSTOMER CONNECTION OPENING.



DIMENSIONS: MM [INCH]

32 & 38 kW

Drawing #0K9268-B (1 of 2)

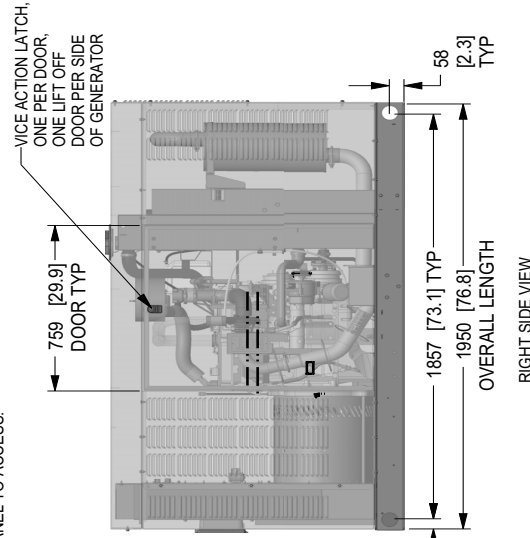
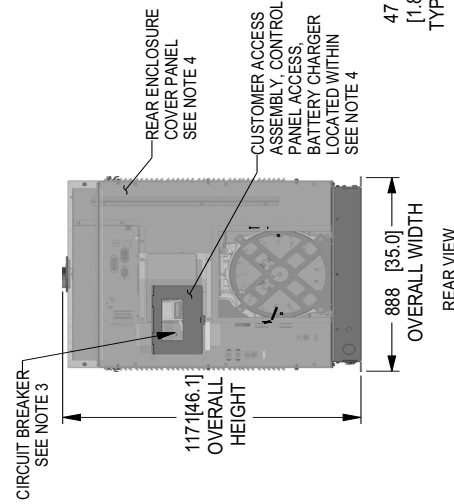
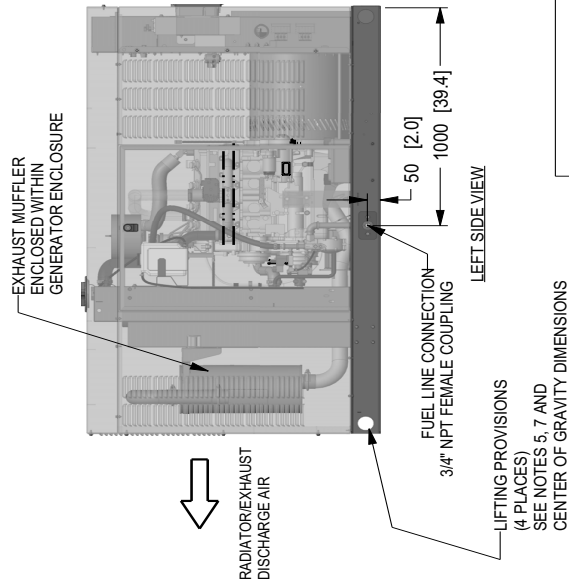
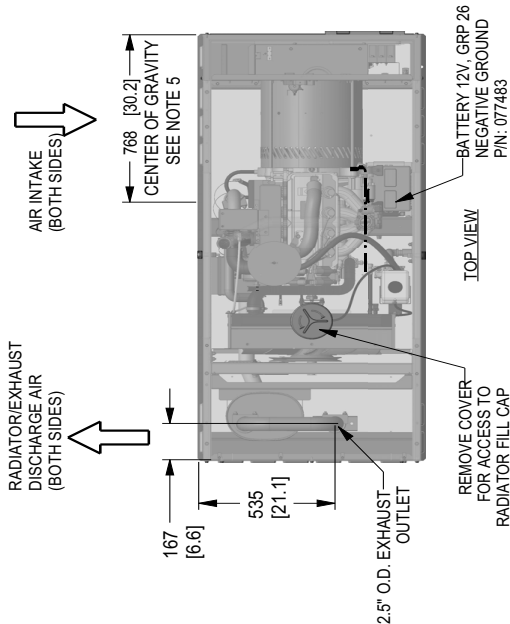
installation layout

NOTES:

1. MINIMUM RECOMMENDED CONCRETE PAD SIZE: 1194 (47") WIDE X 2255 (88.8") LONG. REFERENCE INSTALLATION GUIDE SUPPLIED WITH UNIT FOR CONCRETE PAD GUIDELINES.
2. ALLOW SUFFICIENT ROOM ON ALL SIDES OF THE GENERATOR FOR MAINTENANCE AND SERVICING. THIS UNIT MUST BE INSTALLED IN ACCORDANCE WITH CURRENT APPLICABLE NFPA 37 AND NFPA 70 STANDARDS AS WELL AS ANY OTHER FEDERAL, STATE, AND LOCAL CODES.
3. CONTROL PANEL/ CIRCUIT BREAKER INFORMATION:
 - SEE SPECIFICATION SHEET OR OWNERS MANUAL
 - ACCESSIBLE THROUGH CUSTOMER ACCESS ASSEMBLY DOOR ON REAR OF GENERATOR.
 4. REMOVE THE REAR ENCLOSURE COVER PANEL TO ACCESS THE STUB-UP AREAS AS FOLLOWS:
 - HIGH VOLTAGE CONNECTION INCLUDING AC LOAD LEAD CONDUIT CONNECTION, NEUTRAL CONNECTION, AND BATTERY CHARGER (20 VOLT AC (0.5 AMP MAX) CONNECTION).
 - LOW VOLTAGE CONNECTION INCLUDING TRANSFER SWITCH CONTROL WIRES.
 5. CENTER OF GRAVITY AND WEIGHT MAY CHANGE DUE TO UNIT OPTIONS.
 6. BOTTOM OF GENERATOR SET MUST BE ENCLOSED TO PREVENT PEST INTRUSION AND RECIRCULATION OF DISCHARGE AIR AND/OR IMPROPER COOLING AIR FLOW.
 7. REFERENCE OWNERS MANUAL FOR LIFTING WARNINGS.
 8. MOUNTING BOLTS OR STUDS TO MOUNTING SURFACE SHALL BE 5/8-11 GRADE 5 (USE STANDARD SAE TORQUE SPECS)
 9. MUST ALLOW FREE FLOW OF INTAKE AIR, DISCHARGE AIR AND EXHAUST. SEE SPEC SHEET FOR MINIMUM AIR FLOW AND MAXIMUM RESTRICTION REQUIREMENTS.
 10. GENERATOR MUST BE INSTALLED SUCH THAT FRESH COOLING AIR IS AVAILABLE AND THAT DISCHARGE AIR FROM RADIATOR IS NOT RECIRCULATED.
 11. EXHAUST MUFFLER AND FAN BELT ARE ENCLOSED WITHIN GENERATOR ENCLOSURE. REMOVE FRONT PANEL TO ACCESS.

SERVICE ITEM	2.4L
OIL FILL CAP	ETHER SIDE
OIL DIP STICK	RIGHT SIDE
OIL FILTER	RIGHT SIDE
OIL DRAIN HOSE	RIGHT SIDE
RADIATOR DRAIN HOSE	LEFT SIDE
COOLANT RECOVERY BOTTLE	LEFT SIDE
RADIATOR FILL CAP ACCESS	ROOF TOP
AIR CLEANER ELEMENT	RIGHT SIDE
SPARK PLUGS	LEFT SIDE
MUFFLER	SEE NOTE 11
DRIVE BELT	SEE NOTE 11
FAN BELT	SEE NOTE 11
BATTERY	LEFT SIDE

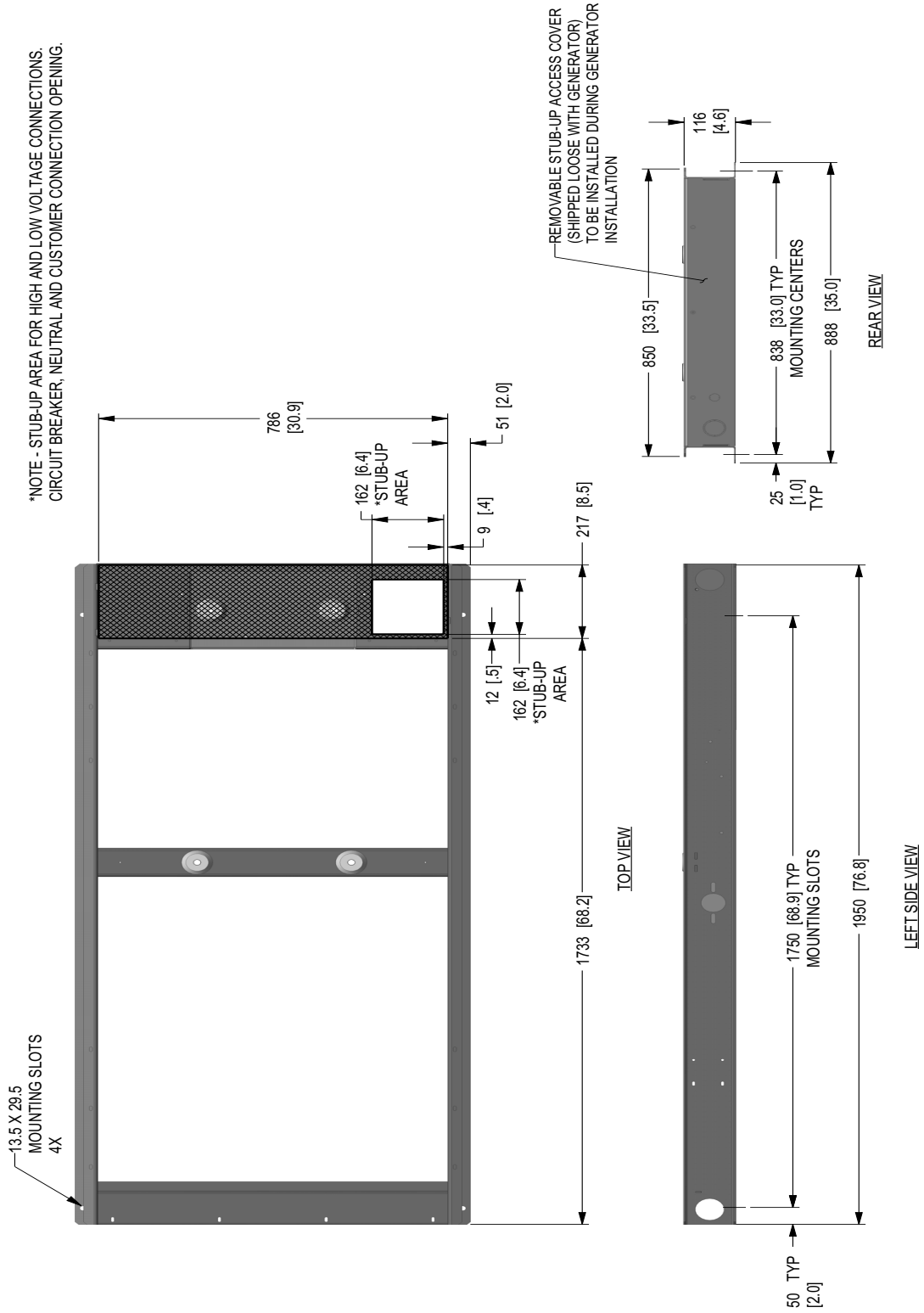
REFERENCE OWNERS MANUAL FOR PERIODIC REPLACEMENT PART LISTINGS.



WEIGHT DATA			
ENGINE/KW	ENCLOSURE MATERIAL	WEIGHT GENSET ONLY KG [LBS]	WEIGHT SHIPPING SKID KG [LBS]
2.4L 32KW	AL	596 [1225]	44 [98]
2.4L 38KW	AL	560 [1235]	44 [98]
			606 [1333]

DIMENSIONS: MM (INCH)

32 & 38 kW



Serie Protector® QS

GENERAC®

SERIE PROTECTOR® QS

Generadores de reserva

Motor a gas enfriado por líquido

INCLUYE:

- Controlador digital multilingüe con pantalla LCD de dos líneas Evolution™ (inglés, español, francés y portugués) con ventana de visualización externa para indicar fácilmente el estado del generador y la posición del disyuntor.
- Tecnología eléctrica True Power™
- Regulador electrónico isócrono
- Gabinete con ruido atenuado
- Sistema cerrado de recuperación de refrigerante
- Cargador de batería inteligente
- Mangueras resistentes al ozono y los rayos ultravioleta
- Regulación de voltaje de $\pm 1\%$
- Funcionamiento con gas natural o propano líquido
- Garantía limitada de 5 años
- En la lista UL 2200
- El generador indicado en la lista SwRi® (NFPA37, cláusula 4.1.4.1.2) se puede instalar a una distancia mínima de 18 pulg. (457 mm) de una pared combustible*

*Únicamente si se ubica lejos de puertas, ventanas y entradas de aire fresco y a menos que los códigos locales indiquen lo contrario. Revise la guía de instalación para obtener más detalles.

Clasificación de alimentación de reserva

Modelo RG022 (Aluminio - Bisque) - 22 kW 60 Hz

Modelo RG027 (Aluminio - Bisque) - 27 kW 60 Hz

Modelo RG032 (Aluminio - Bisque) - 32 kW 60 Hz

Modelo RG038 (Aluminio - Bisque) - 38 kW 60 Hz



QUIETTEST

*Ensamblados en EE. UU. utilizando componentes nacionales y extranjeros.

Cumple con los reglamentos de emisiones de la EPA 22 y 27 kW cumplen con las normas de emisiones de CA/MA 32 y 38 kW no se venden en CA/MA

CARACTERÍSTICAS

- **DISEÑO INNOVADOR Y PRUEBAS DE PROTOTIPOS** son componentes clave del éxito de GENERAC a la hora de "MEJORAR LA ALIMENTACIÓN A TRAVÉS DEL DISEÑO". Pero eso no es todo. Un compromiso total con las pruebas de componentes, de confiabilidad, ambientales, de vida útil y destrucción, además de las pruebas de las normas CSA, NEMA, EGSA correspondientes y otras normas, le permiten elegir los productos de GENERAC POWER SYSTEMS con la confianza de que estos sistemas le proporcionarán un rendimiento superior.
- **CRITERIOS DE PRUEBA:**
 - ✓ **PROTOTIPO PROBADO**
 - ✓ **TORSIÓN DEL SISTEMA PROBADA**
 - ✓ **EVALUACIÓN NEMA MG1-22**
 - ✓ **CAPACIDAD DE ARRANQUE DEL MOTOR**
- **REGULACIÓN DE VOLTAJE CON FRECUENCIA COMPENSADA DE ESTADO SÓLIDO.** Este sistema de regulación de vanguardia que aumenta la alimentación está incorporado de manera estándar en todos los modelos Generac. Proporciona una RESPUESTA RÁPIDA optimizada ante las condiciones de carga cambiantes y una CAPACIDAD MÁXIMA DE ARRANQUE DEL MOTOR mediante la concordancia de par de torsión electrónica de las cargas de sobrevoltaje transitorio hacia el motor. Regulación de voltaje digital en $\pm 1\%$.
- **RESPUESTA DE SERVICIO DE UNA SOLA FUENTE** de la amplia red de concesionarios de Generac, quienes proporcionan conocimientos técnicos de servicio y piezas de toda la unidad, desde el motor hasta el componente electrónico más pequeño.
- **INTERRUPTORES DE TRANSFERENCIA GENERAC.** Vida útil prolongada y confiabilidad son sinónimos de GENERAC POWER SYSTEMS. Un motivo para esta confianza es que la línea de productos de GENERAC incluye sus propios controles y sistemas de transferencia, lo que ofrece una completa compatibilidad del sistema.

GENERAC®



ESPECIFICACIONES DEL GENERADOR

Tipo	Síncrono
Clase de aislamiento del rotor	H (22 y 27 kW) o F (32 y 38 kW)
Clase de aislamiento del estator	H
Factor de interferencia telefónica (FIT)	< 50
Conductores de salida del alternador monofásicos	4 hilos
Conductores de salida del alternador trifásicos	6 hilos
Cojinetes	Bola sellada
Acoplamiento	Disco flexible
Sistema de excitación	Directo

REGULACIÓN DE VOLTAJE

Tipo	Electrónica
Detección	Monofásico
Regulación	± 1 %

ESPECIFICACIONES DEL REGULADOR

Tipo	Electrónica
Regulación de frecuencia	Isócrona
Regulación de estado estable	± 0,25 %

SISTEMA ELÉCTRICO

Alternador de carga de batería	12 voltios 30 amperios
Cargador de batería estático	2,5 amperios
Batería recomendada (no incluida)	Grupo 26 (22, 27, 32 y 38 kW)
Voltaje del sistema	12 voltios

CARACTERÍSTICAS DEL GENERADOR

<p>Generador de campo giratorio para servicio pesado Se conecta directamente al motor Aumento de temperatura de funcionamiento de 216 °F (120 °C) sobre una temperatura ambiente de 104 °F (40 °C) Aislamiento clase H con clasificación NEMA Aislamiento clase F con clasificación NEMA Todos los modelos desarrollados a partir de prototipos completamente probados</p>
--

CARACTERÍSTICAS DEL GABINETE

Gabinete de protección contra la intemperie de aluminio	Garantiza protección contra las inclemencias del tiempo. Pintura epoxi texturada aplicada de manera electrostática para una mayor durabilidad.
Silenciador de grado crítico contenido	El silenciador de grado crítico y silencioso está montado al interior de la unidad para evitar lesiones.
Pequeña, compacta y atractiva	Contribuye a una instalación fácil y atractiva.
SAE	Gabinete con ruido atenuado que garantiza un funcionamiento silencioso.

ESPECIFICACIONES DEL MOTOR: 22, 27, 32 y 38 kW

Marca	Generac
Modelo	En línea
Cilindros	4
Desplazamiento (litros)	2,4
Diámetro interior (pulg./mm)	3,41/86,5
Carrera (pulg./mm)	3,94/100
Proporción de compresión	9,5:1
Sistema de entrada de aire	Con aspiración natural (22 y 27 kW) o con turbocompresor/posenfriador (32 y 38 kW)
Tipo de elevador	Hidráulico

SISTEMA DE LUBRICACIÓN DEL MOTOR

Tipo de bomba de aceite	Engranajes
Tipo de filtro de aceite	Cartucho enroscable de flujo completo
Capacidad del cárter (qt/L)	4/3,8 (22, 27, 32 y 38 kW)

SISTEMA DE ENFRIAMIENTO DEL MOTOR

Tipo	Cerrado
Bomba de agua	Accionada por correa
Velocidad del ventilador (rpm)	1980 - 22 y 27 kW 1500 - 32 y 38 kW
Diámetro del ventilador (pulg./mm)	18,1/459,7 (22 y 27 kW) o 22/558,8 (32 y 38 kW)
Modo de ventilador	Propulsor (22 y 27 kW) o extractor (32 y 38 kW)

SISTEMA DE COMBUSTIBLE

Tipo de combustible	Gas natural, vapor de propano
Carburador	Tiro hacia abajo
Regulador de combustible secundario	Estándar
Solenoides de cierre de combustible	Estándar
Presión de funcionamiento del combustible	5 a 14 pulg. de columna de agua/ 9 a 26 mm HG
Presión de combustible de PL	11 a 14 pulg. de columna de agua/ 21 a 26 mm HG
Presión de combustible de GN	5 a 14 pulg. de columna de agua/ 9 a 26 mm HG

VOLTAJE DE SALIDA DEL GENERADOR/kW - 60 Hz

		kW gas PL	Amperios gas PL	kW gas nat.	Amperios gas nat.	Tamaño del disyuntor (ambos)
RG022	120/240 V, 1 Ø, 1,0 pf	22	92	22	92	100
	120/208 V, 3 Ø, 0,8 pf	22	76	22	76	80
	120/240 V, 3 Ø, 0,8 pf	22	66	22	66	80
RG027	120/240 V, 1 Ø, 1,0 pf	27	113	25	104	125
	120/208 V, 3 Ø, 0,8 pf	27	94	25	87	100
	120/240 V, 3 Ø, 0,8 pf	27	81	25	75	90
RG032	120/240 V, 1 Ø, 1,0 pf	32	133	32	133	150
	120/208 V, 3 Ø, 0,8 pf	32	111	32	111	125
	120/240 V, 3 Ø, 0,8 pf	32	96	32	96	100
	277/480 V, 3 Ø, 0,8 pf	32	48	32	48	60
RG038	120/240 V, 1 Ø, 1,0 pf	38	158	38	158	175
	120/208 V, 3 Ø, 0,8 pf	38	132	38	132	150
	120/240 V, 3 Ø, 0,8 pf	38	114	38	114	125
	277/480 V, 3 Ø, 0,8 pf	38	57	38	57	60

CAPACIDAD DE SOBREVOLTAJE TRANSITORIO EN AMPERIOS

		Caída de voltaje a < 0,4 pf	
		15 %	30 %
RG022	120/240 V, 1 Ø	55	135
	120/208 V, 3 Ø	40	92
	120/240 V, 3 Ø	35	80
RG027	120/240 V, 1 Ø	62	170
	120/208 V, 3 Ø	70	120
RG032	120/240 V, 3 Ø	61	103
	120/240 V, 1 Ø	75	180
	120/208 V, 3 Ø	87	210
	120/240 V, 3 Ø	75	182
RG038	277/480 V, 3 Ø	36	87
	120/240 V, 1 Ø	75	180
	120/208 V, 3 Ø	87	210
	120/240 V, 3 Ø	75	182
	277/480 V, 3 Ø	36	87

CONSUMO DE COMBUSTIBLE DEL MOTOR

		Gas natural		Propano		
		(pie ³ /h)	(m ³ /h)	(gal/h)	(pie ³ /h)	(L/h)
RG022	Ciclo de ejercitación	42	1,2	0,44	16	1,7
	25 % de la carga nominal	100	2,8	1,1	40	4,2
	50 % de la carga nominal	190	5,4	2,1	75	7,8
	75 % de la carga nominal	255	7,2	2,8	101	10,5
	100 % de la carga nominal	316	9	3,4	125	13
RG027	Ciclo de ejercitación	42	1,2	0,44	16	1,7
	25 % de la carga nominal	108	3,1	1,2	43	4,5
	50 % de la carga nominal	197	5,6	2,1	78	8,1
	75 % de la carga nominal	287	8,2	3,1	114	11,8
RG032	100 % de la carga nominal	359	10,2	3,9	143	14,8
	Ciclo de ejercitación	79	2,2	0,8	30	3,2
	25 % de la carga nominal	144	4,1	1,7	60	6,3
	50 % de la carga nominal	226	6,4	2,7	97	10,3
	75 % de la carga nominal	298	8,2	3,1	114	11,8
RG038	100 % de la carga nominal	375	10,6	4,0	146	15,3
	Ciclo de ejercitación	83	2,3	0,9	31	3,2
	25 % de la carga nominal	162	4,6	1,7	62	6,6
	50 % de la carga nominal	255	7,2	2,9	103	10,8
RG038	75 % de la carga nominal	345	9,8	4	142	15
	100 % de la carga nominal	437	12,4	5,2	185	19

Nota: **La tubería de combustible debe estar dimensionada para carga plena.**

Para el contenido de BTU, multiplique pie³/h x 2520 (PL) o pie³/h x 1000 (GN).

Para el contenido de megajulios, multiplique m³/h x 93,15 (PL) o m³/h x 37,26 (GN).

Consulte la "Hojas de datos de emisiones" para conocer el flujo de combustible máximo para fines de permisos de EPA y SCAQMD.

CLASIFICACIÓN DE RESERVA: Las clasificaciones de reserva aplican a instalaciones alimentadas por una fuente confiable del servicio público. La clasificación de reserva se aplica a distintas cargas por la duración de un corte de alimentación. No hay capacidades de sobrecarga para esta clasificación. Las clasificaciones son conforme a la ISO-3046-1. El diseño y las especificaciones están sujetos a cambios sin previo aviso.

22 • 27 • 32 • 38

datos de funcionamiento

ENFRIAMIENTO DEL MOTOR

	22 kW	27 kW	32 y 38 kW
Flujo de aire (entrada de aire que incluye alternador y aire de combustión en pie ³ /min / m ³ /min)	2400/68	2400/68	2200/62,3
Capacidad de refrigerante del sistema (gal/litros)	2,5/9,5	2,5/9,5	2,5/9,5
Disipación del calor al refrigerante (BTU por hora/MJ por hora)	99.000/104,5	105.000/110,8	145.000/153
Temperatura máxima del aire de funcionamiento en el radiador (°F/°C)	150/60		
Temperatura ambiente máxima (°F/°C)	140/50		

REQUISITOS DE COMBUSTIÓN

Flujo a la potencia nominal (pie ³ /min / m ³ /min)	68/1,9	68/1,9	106/3
---	--------	--------	-------

EMISIONES ACÚSTICAS

Salida de ruido en dB(A) a 23 pies (7 m) con el generador en modo de ejercitación*	61	61	58
Salida de ruido en dB(A) a 23 pies (7 m) con el generador funcionando con carga normal*	70	70	64

ESCAPE

Flujo de escape en la salida nominal (pie ³ /min / m ³ /min)	165/4,7	180/5,1	300/8,5
Temperatura del escape en la salida del silenciador (°F/°C)	900/482	1000/538	1075/579

PARÁMETROS DEL MOTOR

Rpm síncronas nominales	1800
-------------------------	------

AJUSTE DE ENERGÍA PARA CONDICIONES AMBIENTALES

Reducción de potencia por temperatura	1,65% por cada 10 °F sobre 77 °F o 3 % por cada 10 °C sobre 25 °C
Reducción de potencia por altura (22 y 27 kW)	3 % por cada 1000 pies sobre 600 pies o 1 % por cada 100 m sobre 183 m
Reducción de potencia por altura (32 y 38 kW)	3 % por cada 1000 pies sobre 3000 pies o 1 % por cada 100 m sobre 915 m

CARACTERÍSTICAS DEL CONTROLADOR

Pantalla LCD de texto plano y dos líneas	Interfaz de usuario simple para una operación fácil.
Interruptor de modo: Auto (Automático)	Arranque automático en falla de energía eléctrica. Ejercitador de 7 días
Off (Apagado)	La unidad se detiene. Se elimina la alimentación. El control y cargador siguen en funcionamiento.
Manual	Arranque con control de arrancador, la unidad permanece encendida. Si hay una falla de energía eléctrica, se produce la transferencia a carga.
Retardo de arranque programable entre 10 y 30 segundos	10 s estándar
Secuencia de arranque del motor	Arranque cíclico: 16 s encendido, 7 en descanso (duración máxima de 90 s)
Calentamiento del motor	5 s
Enfriamiento del motor	1 min
Bloqueo del arrancador	El arrancador no se puede volver a arrancar hasta 5 s después de que el motor se haya detenido.
Cargador de batería inteligente	Estándar
Regulación de voltaje automática con protección de subvoltaje y sobrevoltaje	Estándar
Desconexión automática por baja presión del aceite	Estándar
Desconexión por exceso de velocidad	Estándar, 72 Hz
Desconexión por temperatura alta	Estándar
Protección de falla de arranque	Estándar
Seguridad protegida con fusibles	Estándar
Protección de falla de transferencia	Estándar
Protección de batería baja	Estándar
Registro de funcionamiento de 50 eventos	Estándar
Ejercitador con capacidad de ajuste en el futuro	Estándar
Protección de cableado incorrecto	Estándar
Protección de falla interna	Estándar
Capacidad de falla externa común	Estándar
Protección de falla del regulador	Estándar

N.º de modelo	Producto	Descripción
G0071690	Accesorio para celular Mobile Link® 4G LTE	Mobile Link de Generac le permite revisar el estado de su generador desde cualquier lugar con acceso a conexión de Internet desde una computadora o con un dispositivo móvil. Incluso, se le notificará cuando haya un cambio en el estado del generador por correo electrónico o mensaje de texto. Nota: Se requiere un kit de adaptador de mazo de cables. Disponible solo en EE. UU.
G006478-0	Kit, adaptador Mobile Link L/C (necesario para las series QT y RG)	El kit adaptador de mazo de cables es necesario para hacer que las unidades enfriadas por líquido sean compatibles con Mobile Link®.
G005630-1 - 22, 27, 32 y 38 kW	Kit para climas fríos	Si la temperatura normalmente disminuye a menos de 32 °F (0 °C), instale un kit para climas fríos para mantener una temperatura óptima de la batería. El kit consta de un calentador de batería con un termostato integrado en la envoltura.
G005616-0 - 22, 27, 32 y 38 kW	Kit para climas extremadamente fríos	Recomendado en lugares donde la temperatura normalmente disminuye a menos de 32 °F (0 °C) por períodos prolongados. Solo para unidades enfriadas por líquido.
G005651-0	Kit de tapones de base	Agregue tapones de base en la base para impedir que entren residuos al generador.
G005703-0-Bisque	Kit de pintura	Si el gabinete del generador se raya o daña, es importante retocar la pintura para protegerlo contra la corrosión futura. El kit de pintura incluye la pintura necesaria para mantener o retocar adecuadamente el gabinete de un generador.
G005656-0 - 22 y 27 kW G005984-0 - 32 y 38 kW	Kit de mantenimiento programado	Los kits de mantenimiento programado para generadores enfriados por líquido ofrecen todas las piezas metálicas necesarias para realizar un completo mantenimiento en los generadores enfriados por líquido de Generac.
G006664-0	Monitor inalámbrico local	El monitor inalámbrico de Generac, completamente inalámbrico y alimentado por batería, le proporciona información instantánea del estado sin necesidad de salir de casa.
G006665-0	Mazo de cables de extensión del control remoto inalámbrico	Recomendado para uso con el control remoto inalámbrico en unidades de hasta 60 kW, obligatorio para unidades de 70 kW o más.
G006873-0	Módulo de administración inteligente (50 amperios)	Los módulos de administración inteligente se usan en conjunto con el interruptor de transferencia automática para aumentar las capacidades de administración de alimentación. Proporciona flexibilidad de administración de alimentación adicional que no se encuentra en ningún otro sistema de administración de alimentación.
G007993-0	Interruptor basculante de parada de emergencia para instalaciones residenciales conforme a NEC2017	La parada de emergencia permite apagar el generador y cortar el suministro de combustible inmediatamente en caso de una emergencia.
G006510-0	Interruptor con restablecimiento de parada de emergencia para instalaciones comerciales conforme a NEC2020	La parada de emergencia permite apagar el generador y cortar el suministro de combustible inmediatamente en caso de una emergencia.
G007005-0	Monitor Wi-Fi de nivel de combustible PL	El monitor Wi-Fi de nivel de combustible PL proporciona un monitoreo constante del tanque de combustible PL conectado. El monitoreo del nivel de combustible del tanque de PL es un paso importante para asegurarse de que el generador esté listo para funcionar durante una interrupción de alimentación inesperada. Se dispone de alertas de estado por medio de una aplicación gratuita, para proporcionar una notificación cuando el tanque de PL requiere relleno.

22 y 27 kW

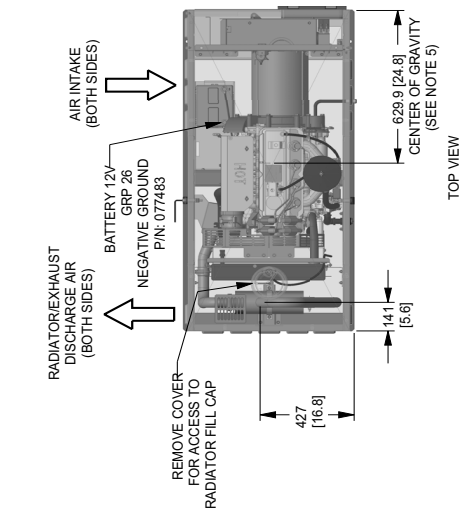
Plano n.º 0K8624-C (1 de 2)

NOTES:

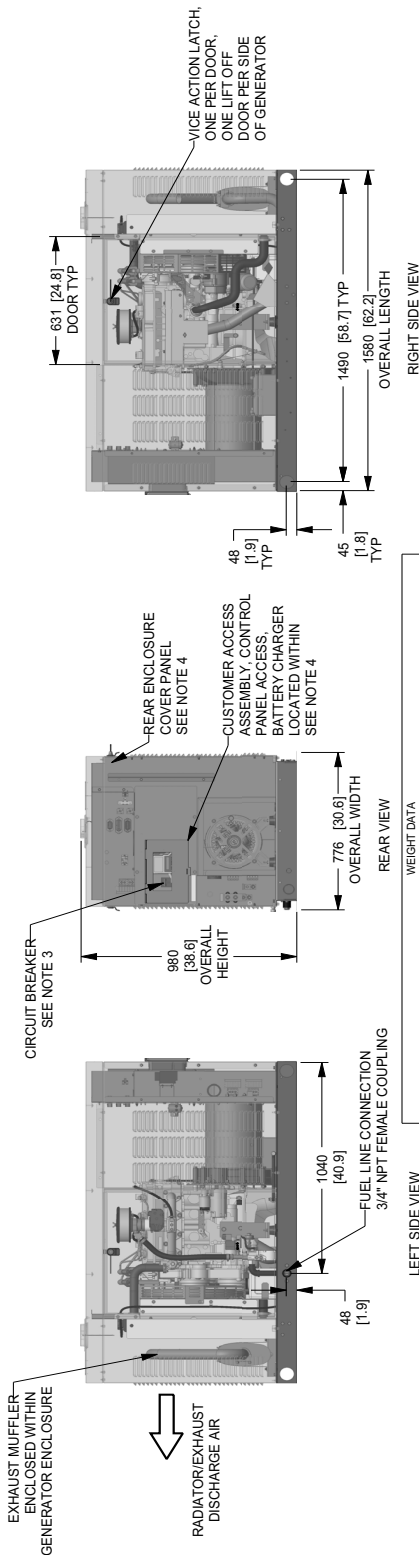
1. MINIMUM RECOMMENDED CONCRETE PAD SIZE: 1092 (43") WIDE X 1885 (74.2") LONG. REFERENCE INSTALLATION GUIDE SUPPLIED WITH UNIT FOR CONCRETE PAD GUIDELINES.
2. ALLOW SUFFICIENT ROOM ON ALL SIDES OF THE GENERATOR FOR MAINTENANCE AND SERVICING. THIS UNIT MUST BE INSTALLED IN ACCORDANCE WITH CURRENT APPLICABLE NFPA 37 AND NFPA 70 STANDARDS AS WELL AS ANY OTHER FEDERAL, STATE, AND LOCAL CODES.
3. CONTROL PANEL / CIRCUIT BREAKER INFORMATION:
 - SEE SPECIFICATION SHEET OR OWNERS MANUAL
 - ACCESSIBLE THROUGH CUSTOMER ACCESS ASSEMBLY DOOR ON REAR OF GENERATOR.
4. REMOVE THE REAR ENCLOSURE COVER PANEL TO ACCESS THE STUB-UP AREAS AS FOLLOWS:
 - HIGH VOLTAGE CONNECTION INCLUDING AC LOAD LEAD CONDUIT CONNECTION
 - NEUTRAL CONNECTION, BATTERY CHARGER 120 VOLT AC (0.5 AMP MAX) CONNECTION.
 - LOW VOLTAGE CONNECTION INCLUDING TRANSFER SWITCH CONTROL WIRES.
5. CENTER OF GRAVITY AND WEIGHT MAY CHANGE DUE TO UNIT OPTIONS.
6. BOTTOM OF GENERATOR SET MUST BE ENCLOSED TO PREVENT PEST INTRUSION AND RECIRCULATION OF DISCHARGE AIR AND/OR IMPROPER COOLING AIR FLOW.
7. REFERENCE OWNERS MANUAL FOR LIFTING WARNINGS.
8. MOUNTING BOLTS OR STUDS TO MOUNTING SURFACE SHALL BE 5/8"-11 GRADE 5 (USE STANDARD SAE TORQUE SPECS)
9. MUST ALLOW FREE FLOW OF INTAKE AIR, DISCHARGE AIR AND EXHAUST. SEE SPEC SHEET FOR MINIMUM AIR FLOW AND MAXIMUM RESTRICTION REQUIREMENTS.
10. GENERATOR MUST BE INSTALLED SUCH THAT FRESH COOLING AIR IS AVAILABLE AND THAT DISCHARGE AIR FROM RADIATOR IS NOT RECIRCULATED.
11. EXHAUST MUFFLER AND FAN BELT ENCLOSED WITHIN GENERATOR ENCLOSURE. REMOVE FRONT PANEL TO ACCESS.

SERVICE ITEM	2.4L
OIL FILL CAP	EITHER SIDE
OIL DIP STICK	RIGHT SIDE
OIL FILTER	RIGHT SIDE
OIL DRAIN HOSE	LEFT SIDE
RADIATOR DRAIN	LEFT SIDE
COOLANT RECOVERY BOTTLE	LEFT SIDE
RADIATOR FILL CAP	ROOF TOP
AIR CLEANER ELEMENT	LEFT SIDE
SPARK PLUGS	LEFT SIDE
MUFFLER	EITHER SIDE
DRIVE BELT	SEE NOTE 11
FAN BELT	SEE NOTE 11
BATTERY	LEFT SIDE

REFERENCE OWNERS MANUAL FOR PERIODIC REPLACEMENT PART LISTINGS.



TOP VIEW



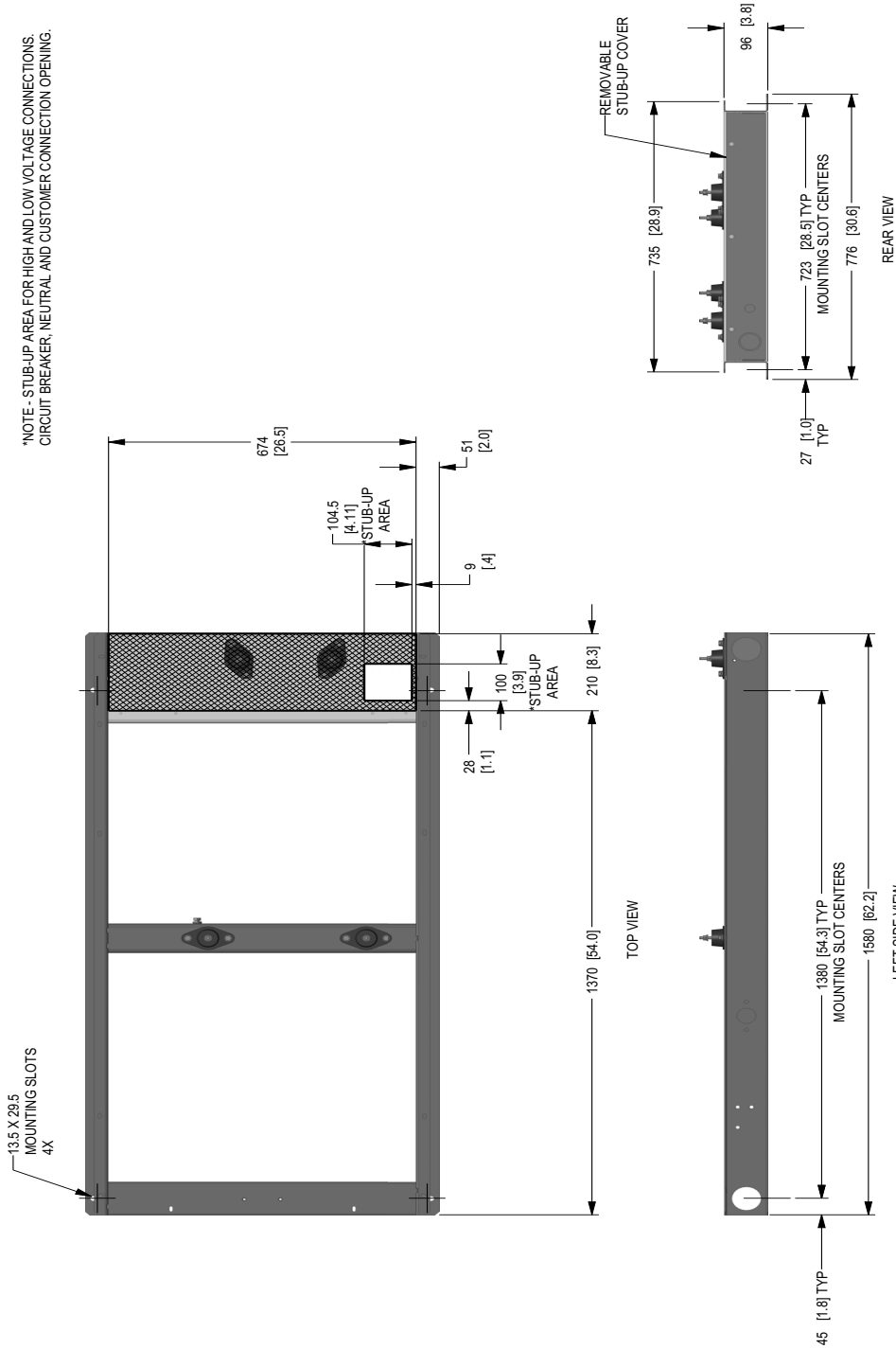
LEFT SIDE VIEW

REAR VIEW

ENGINE/KW KVA	ENCLOSURE MATERIAL	WEIGHT GENSET ONLY KG [LBS]	WEIGHT SHIPPING SKID KG [LBS]	SHIPPING WEIGHT KG [LBS]
2.4L 20KW (60HZ) SINGLE PHASE 22KVA (50HZ)	AL	410.5 [905]	30 [66]	440 [971]
2.4L 27KW (60HZ) SINGLE PHASE 21.8KVA (60HZ) THREE PHASE 27KVA (50HZ)	AL	426 [940]	30 [66]	456 [1006]

DIMENSIONS: MM [INCH]

*NOTE - STUB-UP AREA FOR HIGH AND LOW VOLTAGE CONNECTIONS, CIRCUIT BREAKER, NEUTRAL, AND CUSTOMER CONNECTION OPENING.



DIMENSIONS: MM [INCH]

32 y 38 kW

Plano n.º 0K9268-B (1 de 2)

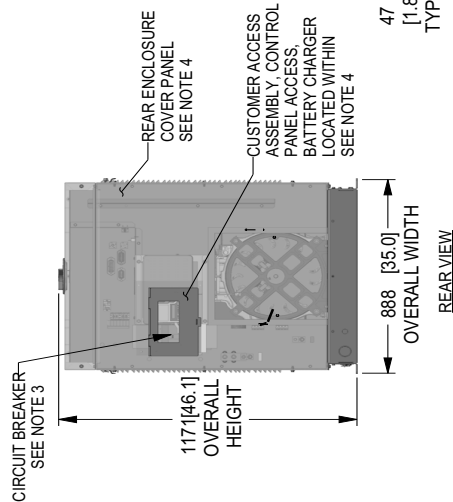
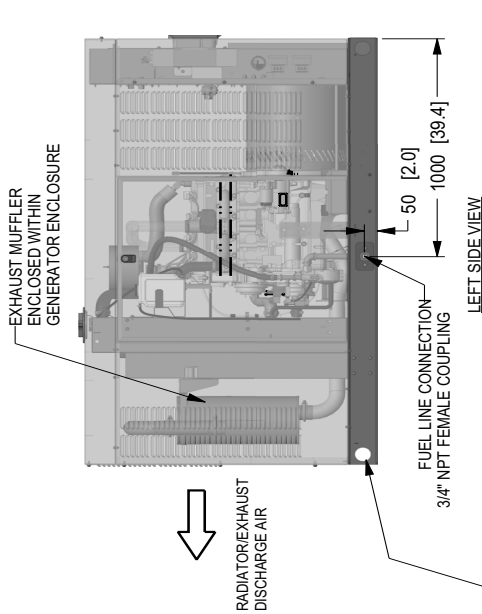
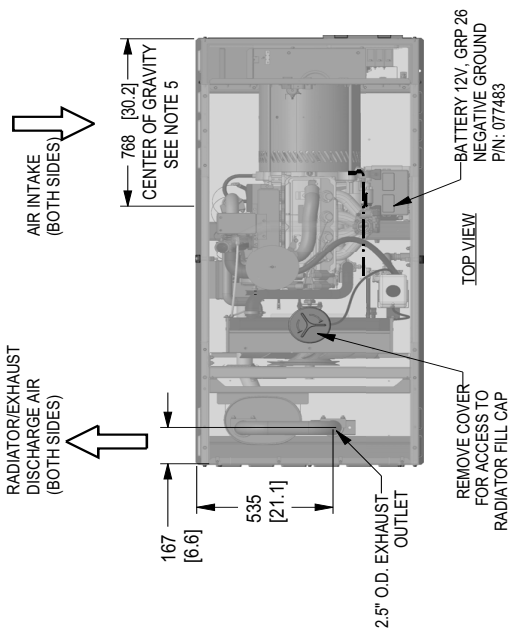
diseño de instalación

NOTES:

1. MINIMUM RECOMMENDED CONCRETE PAD SIZE: 1.94 (47") WIDE X 2.255 (68.8") LONG. REFERENCE INSTALLATION GUIDE SUPPLIED WITH UNIT FOR CONCRETE PAD GUIDELINES.
2. ALLOW SUFFICIENT ROOM ON ALL SIDES OF THE GENERATOR FOR MAINTENANCE AND SERVICING. THIS UNIT MUST BE INSTALLED IN ACCORDANCE WITH CURRENT APPLICABLE NFPA 37 AND NFPA 70 STANDARDS AS WELL AS ANY OTHER FEDERAL, STATE, AND LOCAL CODES.
3. CONTROL PANEL / CIRCUIT BREAKER INFORMATION:
 - SEE SPECIFICATION SHEET FOR OWNERS MANUAL
 - ACCESSIBLE THROUGH CUSTOMER ACCESS ASSEMBLY DOOR ON REAR OF GENERATOR.
 4. REMOVE THE REAR ENCLOSURE COVER PANEL TO ACCESS THE STUB-UP AREAS AS FOLLOWS:
 - HIGH VOLTAGE CONNECTION INCLUDING AC LOAD LEAD CONDUIT CONNECTION, NEUTRAL CONNECTION, AND BATTERY CHARGER (20 VOLT AC (0.5 AMP MAX) CONNECTION).
 - LOW VOLTAGE CONNECTION INCLUDING TRANSFER SWITCH CONTROL WIRES.
 5. CENTER OF GRAVITY AND WEIGHT MAY CHANGE DUE TO UNIT OPTIONS.
 6. BOTTOM OF GENERATOR SET MUST BE ENCLOSED TO PREVENT PEST INTRUSION AND RECIRCULATION OF DISCHARGE AIR AND/OR IMPROPER COOLING AIR FLOW.
 7. REFERENCE OWNERS MANUAL FOR LIFTING WARNINGS.
 8. MOUNTING BOLTS OR STUDS TO MOUNTING SURFACE SHALL BE 5/8-11 GRADE 5 (USE STANDARD SAE TORQUE SPECS)
 9. MUST ALLOW FREE FLOW OF INTAKE AIR, DISCHARGE AIR AND EXHAUST. SEE SPEC SHEET FOR MINIMUM AIR FLOW AND MAXIMUM RESTRICTION REQUIREMENTS.
 10. GENERATOR MUST BE INSTALLED SUCH THAT FRESH COOLING AIR IS AVAILABLE AND THAT DISCHARGE AIR FROM RADIATOR IS NOT RECIRCULATED.
 11. EXHAUST MUFFLER AND FAN BELT ARE ENCLOSED WITHIN GENERATOR ENCLOSURE. REMOVE FRONT PANEL TO ACCESS.

SERVICE ITEM	2.4L
OIL FILL CAP	EITHER SIDE
OIL DIP STICK	RIGHT SIDE
OIL FILTER	RIGHT SIDE
OIL DRAIN HOSE	RIGHT SIDE
RADIATOR DRAIN HOSE	LEFT SIDE
COOLANT RECOVERY BOTTLE	LEFT SIDE
RADIATOR FILL CAP ACCESS	ROOF TOP
AIR CLEANER ELEMENT	RIGHT SIDE
SPARK PLUGS	SEE NOTE 11
MUFFLER	LEFT SIDE
DRIVE BELT	SEE NOTE 11
FAN BELT	EITHER SIDE
BATTERY	LEFT SIDE

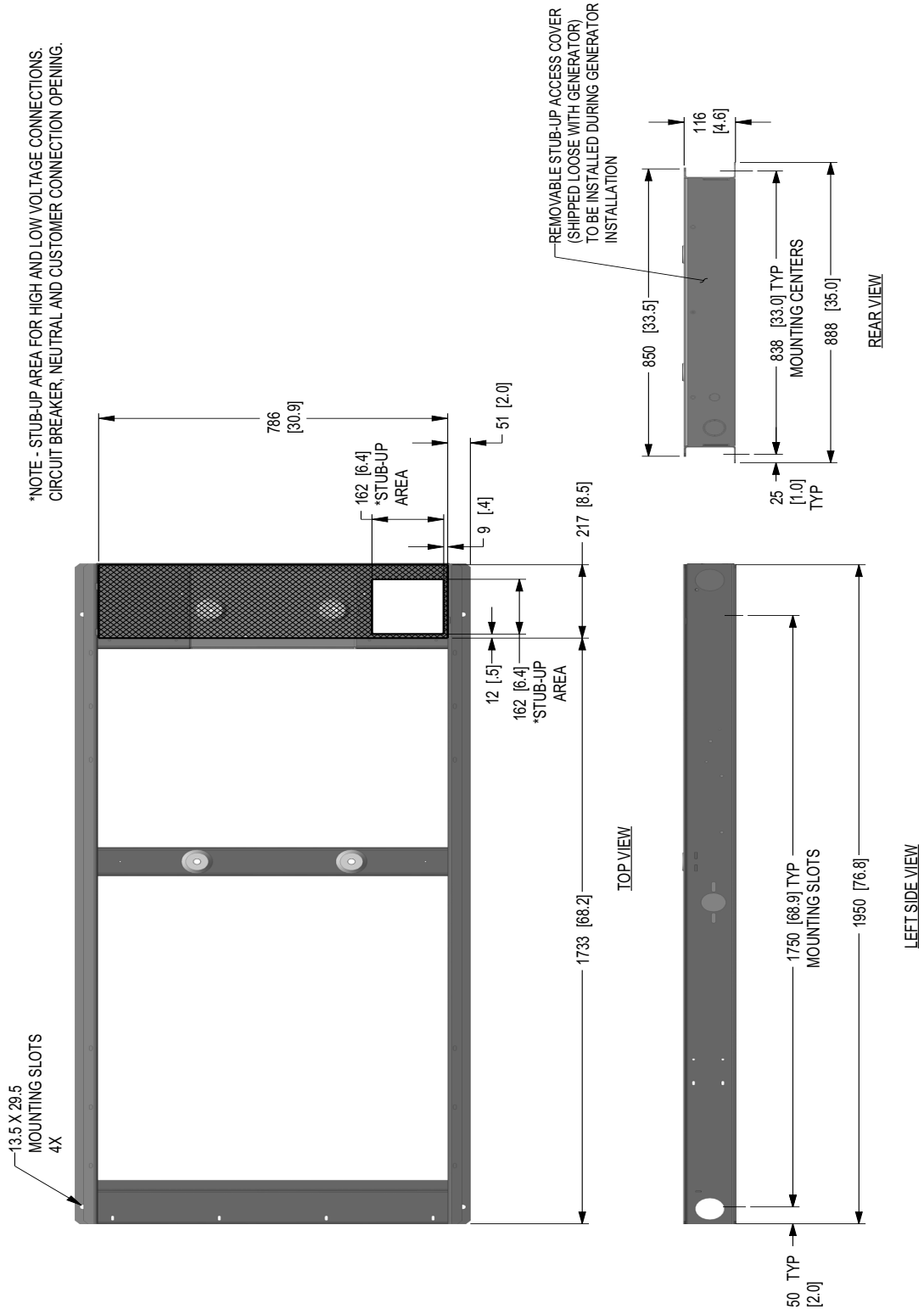
REFERENCE OWNERS MANUAL FOR PERIODIC REPLACEMENT PART LISTINGS.



WEIGHT DATA			
ENGINE/KW	ENCLOSURE MATERIAL	WEIGHT GENSET ONLY KG [LBS]	WEIGHT SHIPPING SKID KG [LBS]
2.4L 32KW	AL	596 [1325]	44 [98]
2.4L 38KW	AL	560 [1235]	44 [98]
			606 [1333]

DIMENSIONS: MM (INCH)

LIFTING PROVISIONS (4 PLACES) SEE NOTES 5, 7 AND CENTER OF GRAVITY DIMENSIONS



Protector® série QS

PROTECTOR® SÉRIE QS Génératrices de secours Moteur à gaz refroidi par liquide

COMPREND :

- Contrôleur numérique multilingue Evolution™ à affichage à cristaux liquides de deux lignes (anglais/espagnol/français/portugais) avec fenêtre externe pour observer facilement l'état de la génératrice et la position des disjoncteurs.
- Technologie électrique True Power™
- Régulateur de vitesse électronique isochrone
- Enceinte à atténuation sonore
- Récupération de liquide de refroidissement en circuit fermé
- Chargeur de batterie intelligent
- Flexibles résistant aux UV et à l'ozone
- Régulation de tension à ± 1 % près
- Fonctionne au gaz naturel ou au GPL
- Garantie limitée 5 ans
- Homologué UL 2200
- Homologué SwRi® (NFPA37, clause 4.1.4.1.2)
La génératrice peut être installée à une distance de 18 po (457 mm) minimum d'une paroi combustible*

*Uniquement si placé à l'écart des portes, des fenêtres et des prises d'air frais et sauf prescriptions contraires de la réglementation en vigueur. Pour plus de détails, consulter le guide d'installation.

Puissance nominale de secours

Modèle RG022 (aluminium - bisque) - 22 kW 60 Hz

Modèle RG027 (aluminium - bisque) - 27 kW 60 Hz

Modèle RG032 (aluminium - bisque) - 32 kW 60 Hz

Modèle RG038 (aluminium - bisque) - 38 kW 60 Hz



QUIET-TEST

*Assemblé aux É.-U. en utilisant des pièces domestiques et étrangères.

Conforme aux réglementations sur les émissions de l'EPA
Modèles 22 et 27 kW conformes aux normes d'émissions du CA/MA
Modèles 32 et 38 kW non vendus au CA/MA

CARACTÉRISTIQUES

- **CONCEPTION INNOVANTE ET ESSAIS SUR PROTOTYPES** sont des éléments essentiels de l'approche de GENERAC à « AMÉLIORER L'ALIMENTATION ÉLECTRIQUE À DESSEIN ». Mais ça ne s'arrête pas là. Notre approche exhaustive des essais de composants, essais de fiabilité, essais environnementaux, essais destructifs et de durée, en plus des essais prévus par CSA, NEMA, EGSA et d'autres normes, vous permet d'opter pour GENERAC POWER SYSTEMS avec l'assurance de résultats supérieurs.
- **CRITÈRES D'ESSAI :**
 - ✓ ESSAIS DE PROTOTYPES
 - ✓ ESSAIS DE TORSION DU SYSTÈME
 - ✓ ÉVALUATION NEMA MG1-22
 - ✓ CAPACITÉ DE DÉMARRAGE DU MOTEUR
- **RÉGULATION MICROÉLECTRONIQUE DE TENSION À FRÉQUENCE COMPENSÉE.** Ce système de régulation de pointe à maximisation de la puissance équipe de série tous les modèles Generac. Il fournit une RÉPONSE RAPIDE optimisée en fonction des variations des conditions de charge et une CAPACITÉ MAXIMALE DE DÉMARRAGE DU MOTEUR par asservissement électronique du couple aux pointes de charge sur le moteur. Régulation numérique de la tension à ± 1 % près.
- **SERVICE APRÈS-VENTE À SOURCE UNIQUE** par le réseau étendu de concessionnaires Generac, qui disposent des pièces et du savoir-faire pour l'entretien et les réparations de l'ensemble de la machine, du moteur jusqu'aux plus petits composants électroniques.
- **COMMUTATEURS DE TRANSFERT GENERAC.** Durabilité et fiabilité sont synonymes de GENERAC POWER SYSTEMS. L'une des raisons de cette assurance est que la gamme de produits GENERAC est proposée avec ses propres dispositifs et commandes de transfert, pour une compatibilité totale avec le système.

22 • 27 • 32 • 38

GENERAC®**données techniques et d'utilisation****CARACTÉRISTIQUES DE LA GÉNÉRATRICE**

Type	Synchrone
Classe d'isolation du rotor	H (22 et 27 kW) ou F (32 et 38 kW)
Classe d'isolation du stator	H
Facteur de perturbation téléphonique (TIF)	< 50
Conducteurs de sortie d'alternateur, monophasé	4 conducteurs
Conducteurs de sortie d'alternateur, triphasé	6 conducteurs
Roulements	Étanches à billes
Accouplement	Disque flexible
Système d'excitation	Direct

RÉGULATION DE TENSION

Type	Électronique
Détection	Monophasé
Régulation	± 1 %

CARACTÉRISTIQUES DU RÉGULATEUR DE VITESSE

Type	Électronique
Régulation de fréquence	Isochrone
Régulation du régime permanent	± 0,25%

SYSTÈME ÉLECTRIQUE

Alternateur de charge de batterie	12 V 30 A
Chargeur de batterie statique	2,5 A
Batterie recommandée (batterie non fournie)	Groupe 26 (22, 27, 32 et 38 kW)
Tension du système	12 V

CARACTÉRISTIQUES DE LA GÉNÉRATRICE

Génératrice service intensif à champ tournant Accouplement direct au moteur Montée de la température d'exploitation de 216 °F (120 °C) au-dessus d'une ambiante de 104 °F (40 °C) Isolation de classe H conforme à NEMA Isolation de classe F conforme à NEMA Tous les modèles sont entièrement testés sur prototypes
--

CARACTÉRISTIQUES DE L'ENCEINTE

Enceinte en aluminium à l'épreuve des intempéries	Assure la protection contre les éléments. Peinture époxy texturée appliquée par poudrage électrostatique pour plus de durabilité.
Silencieux interne de type critique	Le silencieux très peu bruyant de type critique est monté à l'intérieur de l'enceinte pour éviter les blessures.
Petit, compact, attrayant	Permet une installation facile et visuellement attrayante.
SAE	L'enceinte à atténuation sonore assure un fonctionnement peu bruyant.

CARACTÉRISTIQUES DU MOTEUR : 22, 27, 32 et 38 kW

Marque	Generac
Modèle	En ligne
Cylindres	4
Cylindrée (litres)	2,4
Alésage (po/mm)	3,41/86,5
Course (po/mm)	3,94/100
Taux de compression	9,5:1
Système d'admission d'air	Aspiration naturelle (22 et 27 kW) ou Turbo-compression/post-refroidissement (32 et 38 kW)
Type de cames	Hydrauliques

SYSTÈME DE GRAISSAGE DU MOTEUR

Type de pompe à huile	Engrenages
Type de filtre à huile	Cartouche vissée à débit intégral
Capacité d'huile du carter (pte/L)	4/3,8 (22, 27, 32 et 38 kW)

SYSTÈME DE REFROIDISSEMENT DU MOTEUR

Type	Fermé
Pompe à eau	Entraîné par courroie
Vitesse du ventilateur (tr/min)	1980 - 22 et 27 kW 1500 - 32 et 38 kW
Diamètre du ventilateur (po/mm)	18,1/459,7 (22 et 27 kW) ou 22/558,8 (32 et 38 kW)
Mode de ventilateur	Soufflant (22 et 27 kW) ou Aspirant (32 et 38 kW)

CIRCUIT DE CARBURANT

Type de carburant	Gaz naturel, vapeur de propane
Carburateur	Inversé
Vapo-détendeur secondaire	De série
Électrovanne de coupure de carburant	De série
Pression de service du carburant	5 à 14 poH ₂ O/ 9 à 26 mmHg
Pression de carburant GPL	11 à 14 poH ₂ O
Pression de carburant GN	5 à 14 poH ₂ O

TENSION/PUISSANCE DE SORTIE DE LA GÉNÉRATRICE – 60 Hz

		kW GPL	A GPL	kW Gaz nat.	A Gaz nat.	Disjoncteur (A) (les deux)
RG022	120/240 V, mono, f. puiss. 1,0	22	92	22	92	100
	120/208 V, tri, f. puiss. 0,8	22	76	22	76	80
	120/240 V, tri, f. puiss. 0,8	22	66	22	66	80
RG027	120/240 V, mono, f. puiss. 1,0	27	113	25	104	125
	120/208 V, tri, f. puiss. 0,8	27	94	25	87	100
	120/240 V, tri, f. puiss. 0,8	27	81	25	75	90
RG032	120/240 V, mono, f. puiss. 1,0	32	133	32	133	150
	120/208 V, tri, f. puiss. 0,8	32	111	32	111	125
	120/240 V, tri, f. puiss. 0,8	32	96	32	96	100
	277/480 V, tri, f. puiss. 0,8	32	48	32	48	60
RG038	120/240 V, mono, f. puiss. 1,0	38	158	38	158	175
	120/208 V, tri, f. puiss. 0,8	38	132	38	132	150
	120/240 V, tri, f. puiss. 0,8	38	114	38	114	125
	277/480 V, tri, f. puiss. 0,8	38	57	38	57	60

CAPACITÉ DE SURINTENSITÉ

Creux de tension < 0,4 f. puiss.

		Creux de tension < 0,4 f. puiss.	
		15 %	30 %
RG022	120/240 V, mono	55	135
	120/208 V, tri	40	92
	120/240 V, tri	35	80
RG027	120/240 V, mono	62	170
	120/208 V, tri	70	120
	120/240 V, tri	61	103
RG032	120/240 V, mono	75	180
	120/208 V, tri	87	210
	120/240 V, tri	75	182
	277/480 V, tri	36	87
RG038	120/240 V, mono	75	180
	120/208 V, tri	87	210
	120/240 V, tri	75	182
	277/480 V, tri	36	87

CONSOMMATION DE CARBURANT DU MOTEUR

		Gaz naturel		Propane		
		(pi³/h)	(m³/h)	(gal/h)	(pi³/h)	(l/h)
RG022	Exercice d'entretien	42	1,2	0,44	16	1,7
	25 % de la charge nominale	100	2,8	1,1	40	4,2
	50 % de la charge nominale	190	5,4	2,1	75	7,8
	75 % de la charge nominale	255	7,2	2,8	101	10,5
	100 % de la charge nominale	316	9	3,4	125	13
RG027	Exercice d'entretien	42	1,2	0,44	16	1,7
	25 % de la charge nominale	108	3,1	1,2	43	4,5
	50 % de la charge nominale	197	5,6	2,1	78	8,1
	75 % de la charge nominale	287	8,2	3,1	114	11,8
	100 % de la charge nominale	359	10,2	3,9	143	14,8
RG032	Exercice d'entretien	79	2,2	0,8	30	3,2
	25 % de la charge nominale	144	4,1	1,7	60	6,3
	50 % de la charge nominale	226	6,4	2,7	97	10,3
	75 % de la charge nominale	298	8,2	3,7	132	13,9
	100 % de la charge nominale	375	10,6	4,6	166	17,5
RG038	Exercice d'entretien	83	2,3	0,9	31	3,2
	25 % de la charge nominale	162	4,6	1,7	62	6,6
	50 % de la charge nominale	255	7,2	2,9	103	10,8
	75 % de la charge nominale	345	9,8	4	142	15
	100 % de la charge nominale	437	12,4	5,2	185	19

Remarque : **La conduite de carburant doit être de section suffisante pour la pleine charge.**

Pouvoir calorifique en BTU, multiplier pi³/h x 2520 (GPL) ou pi³/h x 1000 (GN)

Pouvoir calorifique en MJ, multiplier m³/h x 93,15 (GPL) ou m³/h x 37,26 (GN)

Voir le débit maximal de carburant dans les « Fiches de données d'émissions » pour les besoins des permis EPA et SCAQMD.

PUISSANCE NOMINALE DE SECOURS : Les puissances nominales de secours s'appliquent aux installations desservies par un réseau électrique fiable. La puissance nominale de secours peut être appliquée à diverses charges pendant la durée d'une coupure de courant. Il n'y a pas de capacité de surcharge pour cette puissance nominale. Les caractéristiques nominales sont en conformité avec ISO-3046-1. La conception et les caractéristiques sont sujettes à modification sans préavis.

REFROIDISSEMENT DU MOTEUR

	22 kW	27 kW	32 et 38 kW
Débit d'air (admission dont air d'alternateur et de combustion, pi ³ /min et m ³ /min)	2400/68	2400/68	2200/62,3
Capacité du circuit de refroidissement (gal/L)	2,5/9,5	2,5/9,5	2,5/9,5
Rejet de chaleur dans liquide de refroidissement (BTU/h / MJ/h)	99 000/104,5	105 000/110,8	145 000/153
Température maximale d'exploitation de l'air maximum sur le radiateur (°F/°C)	150/60		
Température ambiante maximale (°F/°C)	140/50		

EXIGENCES DE COMBUSTION

Débit à la puissance nominale (pi ³ /min et m ³ /min)	68/1,9	68/1,9	106/3
---	--------	--------	-------

ÉMISSIONS SONORES

Niveau sonore en dB(A) à 23 pi (7 m) en mode d'exercice d'entretien*	61	61	58
Niveau sonore en dB(A) à 23 pi (7 m) en mode de fonctionnement à charge normale*	70	70	64

ÉCHAPPEMENT

Débit d'échappement à la puissance nominale (pi ³ /min et m ³ /min)	165/4,7	180/5,1	300/8,5
Température d'échappement à la sortie du silencieux (°F/°C)	900/482	1000/538	1075/579

PARAMÈTRES DU MOTEUR

Régime synchrone nominal (tr/min)	1800
-----------------------------------	------

AJUSTEMENT DE PUISSANCE EN FONCTION DES CONDITIONS AMBIANTES

Réduction de charge en température.....	1,65% tous les 10 °F au-dessus de 77 °F ou 3 % tous les 10 °C au-dessus de 25 °C
Réduction de charge en altitude (22 et 27 kW).....	3 % tous les 1000 pi au-dessus de 600 pi ou 1 % tous les 100 m au-dessus de 183 m
Réduction de charge en altitude (32 et 38 kW).....	3 % tous les 1000 pi au-dessus de 3000 pi ou 1 % tous les 100 m au-dessus de 915 m

CARACTÉRISTIQUES DU CONTRÔLEUR

Afficheur à cristaux liquides à deux lignes de texte.....	Interface utilisateur simple d'emploi.
Commutateur de mode : Auto.....	Démarrage automatique en cas de panne du réseau électrique. Exercice d'entretien 7 jours
Off (Désactivé).....	Met la génératrice à l'arrêt. Le courant est coupé. La commande et le chargeur continuent de fonctionner.
Manual (Manuel).....	Démarrage par commande de démarreur, la génératrice reste en marche.
	En cas de panne de réseau, le transfert de charge s'effectue.

Délai de démarrage programmable de 10 à 30 secondes.....	10 s de série
Séquence de démarrage du moteur.....	Cycle de lancement : 16 s activé, 7 s de repos (durée maximale 90 s)
Préchauffage du moteur.....	5 s
Refroidissement du moteur.....	1 min
Verrouillage du démarreur.....	Le démarreur ne peut pas être relancé pendant 5 s après l'arrêt du moteur.
Chargeur de batterie intelligent.....	De série
Régulation de tension automatique avec protection contre les surtensions et les sous-tensions.....	De série
Arrêt automatique pour basse pression d'huile.....	De série
Arrêt pour surrégime.....	De série, 72 Hz
Arrêt pour température élevée.....	De série
Protection contre l'emballement.....	De série
Fusible de sécurité.....	De série
Protection contre les échecs du transfert.....	De série
Protection batterie déchargée.....	De série
Journal de fonctionnement 50 événements.....	De série
Système d'exercice d'entretien compatible futur groupe.....	De série
Protection contre les câblages incorrects.....	De série
Protection contre les défaillances internes.....	De série
Capacité défaillances externes courantes.....	De série
Protection contre les défaillances du régulateur de vitesse.....	De série

N° de modèle	Produit	Description
G0071690	Accessoire cellulaire 4G LTE Mobile Link®	Le système Mobile Link de Generac permet de contrôler l'état de la génératrice depuis tout endroit ayant accès à une connexion Internet à partir d'un ordinateur ou de tout téléphone intelligent. Il permet même d'être notifié par courriel ou SMS de tout changement se produisant dans l'état de la génératrice. Remarque : Nécessaire faisceau adaptateur requis. Proposé aux États-Unis seulement.
G006478-0	Nécessaire adaptateur Mobile Link L/C (requis pour les séries QT et RG)	Le nécessaire faisceau adaptateur est requis pour rendre les modèles refroidis par liquide compatibles avec Mobile Link®.
G005630-1 - 22, 27, 32 et 38 kW	Nécessaire pour temps froid	Si la température descend régulièrement en dessous de 32 °F (0 °C), installer un nécessaire pour temps froid afin de maintenir la batterie à une température optimale. Le nécessaire comprend un chauffe-batterie à thermostat intégré dans l'enveloppe.
G005616-0 - 22, 27, 32 et 38 kW	Nécessaire pour froid extrême	Recommandé si la température descend régulièrement en dessous de 32 °F (0 °C) pendant des durées prolongées. Pour les modèles refroidis par liquide uniquement.
G005651-0	Nécessaire bouchons de socle	L'ajout de bouchons sur le socle de la génératrice permet d'empêcher l'intrusion de saletés.
G005703-0 - Bisque	Nécessaire de peinture	Si l'enceinte de la génératrice est rayée ou endommagée, il est important de retoucher la peinture pour la protéger contre la corrosion. Le nécessaire de peinture comprend la peinture requise pour assurer un entretien ou une retouche correcte de l'enceinte de génératrice.
G005656-0 - 22 et 27 kW G005984-0 - 32 et 38 kW	Nécessaire d'entretien courant	Les nécessaires d'entretien courants pour modèles refroidis par liquide comprennent tout le matériel nécessaire pour effectuer des opérations d'entretien complètes sur les génératrices Generac refroidies par liquide.
G006664-0	Système local de surveillance sans fil	Alimenté par batterie, le système de surveillance sans fil de Generac permet d'être informé en temps réel de l'état de la génératrice sans jamais sortir de la maison.
G006665-0	Faisceau de rallonge de télécommande sans fil	Utilisation recommandée avec la télécommande sans fil sur les modèles jusqu'à 60 kW, obligatoire sur les modèles de 70 kW ou plus.
G006873-0	Module de gestion intelligente (50 A)	Les modules de gestion intelligente s'utilisent en association avec le commutateur de transfert automatique pour renforcer ses capacités de gestion de l'énergie. Ils offrent une souplesse supplémentaire dans la gestion de l'énergie sans égale parmi les autres systèmes sur le marché.
G007993-0	Interrupteur à bascule d'arrêt d'urgence pour installations résidentielles selon NEC2017	L'arrêt d'urgence permet de couper l'arrivée de carburant et d'arrêter la génératrice immédiatement en cas d'urgence.
G006510-0	Interrupteur d'arrêt d'urgence réarmable pour installations commerciales selon NEC2020	L'arrêt d'urgence permet de couper l'arrivée de carburant et d'arrêter la génératrice immédiatement en cas d'urgence.
G007005-0	Contrôleur de niveau de propane liquide Wi-Fi	Le contrôleur de niveau de propane compatible Wi-Fi permet une surveillance en continu du réservoir de propane liquide raccordé. La surveillance du niveau du réservoir est un moyen important d'assurer que la génératrice sera prête à l'emploi durant une coupure de courant inattendue. Alerte d'état au moyen d'une application gratuite pour vous avertir lorsqu'il faut refaire le plein du réservoir.

22 et 27 kW

configuration de l'installation

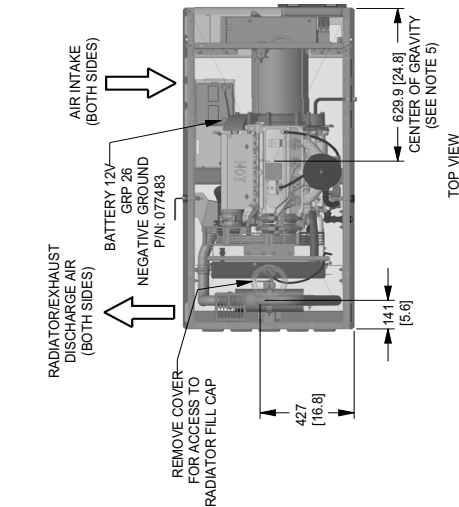
Dessin n° 0K8624-C (1 de 2)

NOTES:

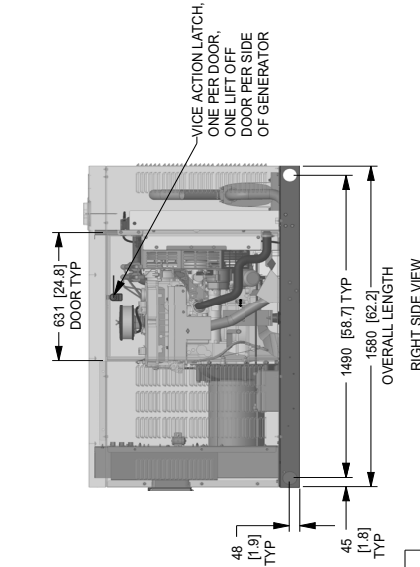
1. MINIMUM RECOMMENDED CONCRETE PAD SIZE: 1092 (43") WIDE X 1885 (74.2") LONG. REFERENCE INSTALLATION GUIDE SUPPLIED WITH UNIT FOR CONCRETE PAD GUIDELINES.
2. ALLOW SUFFICIENT ROOM ON ALL SIDES OF THE GENERATOR FOR MAINTENANCE AND SERVICING. THIS UNIT MUST BE INSTALLED IN ACCORDANCE WITH CURRENT APPLICABLE NFPA 37 AND NFPA 70 STANDARDS AS WELL AS ANY OTHER FEDERAL, STATE, AND LOCAL CODES.
3. CONTROL PANEL / CIRCUIT BREAKER INFORMATION:
 - SEE SPECIFICATION SHEET OR OWNERS MANUAL
 - ACCESSIBLE THROUGH CUSTOMER ACCESS ASSEMBLY DOOR ON REAR OF GENERATOR. THE STUB-UP AREAS AS FOLLOWS:
 - HIGH VOLTAGE CONNECTION INCLUDING AC LOAD LEAD CONDUIT CONNECTION
 - NEUTRAL CONNECTION, BATTERY CHARGER 120 VOLT AC (0.5 AMP MAX) CONNECTION.
 - LOW VOLTAGE CONNECTION INCLUDING TRANSFER SWITCH CONTROL WIRES.
5. CENTER OF GRAVITY AND WEIGHT MAY CHANGE DUE TO UNIT OPTIONS.
6. BOTTOM OF GENERATOR SET MUST BE ENCLOSED TO PREVENT PEST INTRUSION AND RECIRCULATION OF DISCHARGE AIR AND/OR IMPROPER COOLING AIR FLOW.
7. REFERENCE OWNERS MANUAL FOR LIFTING WARNINGS.
8. MOUNTING BOLTS OR STUDS TO MOUNTING SURFACE SHALL BE 5/8-11 GRADE 5 (USE STANDARD SAE TORQUE SPECS)
9. MUST ALLOW FREE FLOW OF INTAKE AIR, DISCHARGE AIR AND EXHAUST. SEE SPEC SHEET FOR MINIMUM AIR FLOW AND MAXIMUM RESTRICTION REQUIREMENTS.
10. GENERATOR MUST BE INSTALLED SUCH THAT FRESH COOLING AIR IS AVAILABLE AND THAT DISCHARGE AIR FROM RADIATOR IS NOT RECIRCULATED.
11. EXHAUST MUFFLER AND FAN BELT ENCLOSED WITHIN GENERATOR ENCLOSURE. REMOVE FRONT PANEL TO ACCESS.

SERVICE ITEM	2.4L	EITHER SIDE
OIL FILL CAP		RIGHT SIDE
OIL DIP STICK		RIGHT SIDE
OIL FILTER		LEFT SIDE
OIL DRAIN HOSE		LEFT SIDE
RADIATOR DRAIN		LEFT SIDE
COOLANT RECOVERY BOTTLE		ROOF TOP
RADIATOR FILL CAP		LEFT SIDE
AIR CLEANER ELEMENT		LEFT SIDE
SPARK PLUGS		SEE NOTE 11
MUFFLER		EITHER SIDE
DRIVE BELT		SEE NOTE 11
FAN BELT		LEFT SIDE
BATTERY		LEFT SIDE

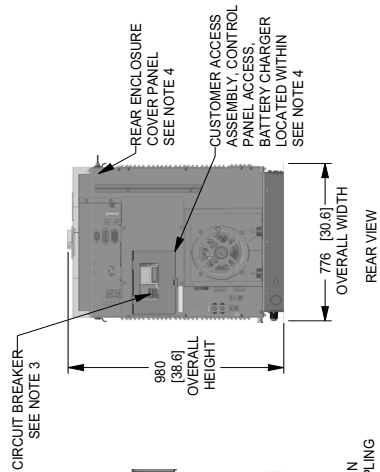
REFERENCE OWNERS MANUAL FOR PERIODIC REPLACEMENT PART LISTINGS.



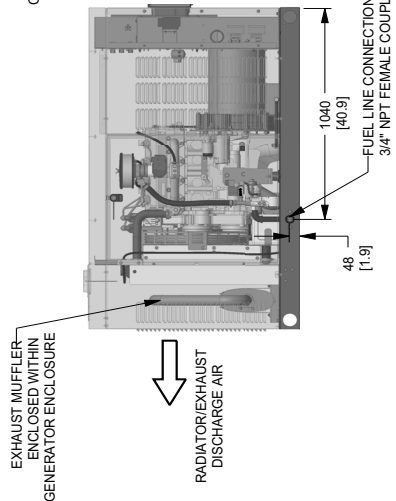
TOP VIEW



RIGHT SIDE VIEW



REAR VIEW

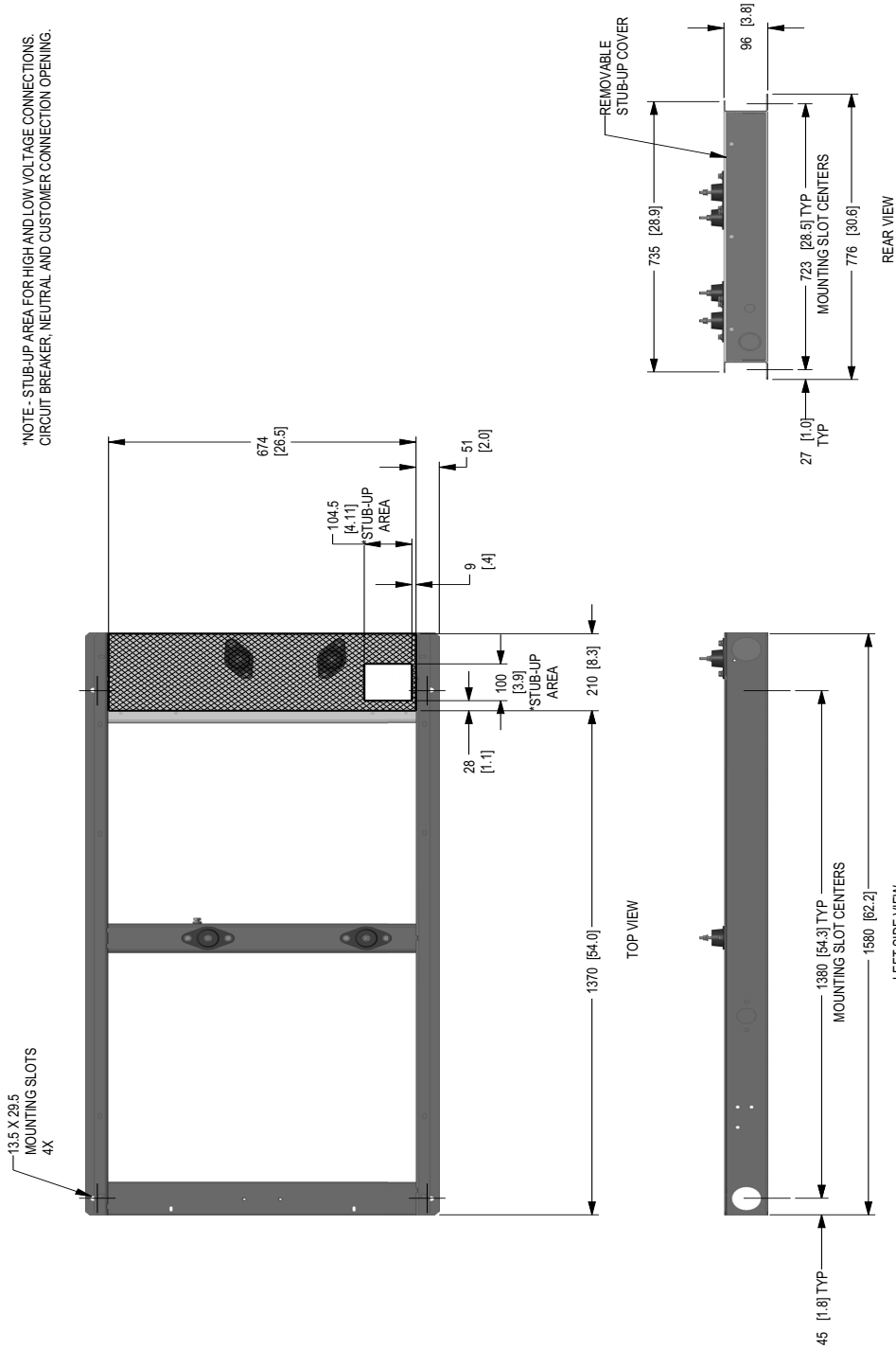


LEFT SIDE VIEW

ENGINE/KW KVA	ENCLOSURE MATERIAL	WEIGHT GENSET ONLY KG [LBS]	WEIGHT SHIPPING SKID KG [LBS]	SHIPPING WEIGHT KG [LBS]
2.4L 20KW (60HZ) SINGLE PHASE 22KVA (50HZ)	AL	410.5 [905]	30 [66]	440 [971]
2.4L 27KW (60HZ) SINGLE PHASE 21.6KVA (50HZ)	AL	426 [940]	30 [66]	456 [1006]

DIMENSIONS: MM [INCH]

*NOTE - STUB-UP AREA FOR HIGH AND LOW VOLTAGE CONNECTIONS, CIRCUIT BREAKER, NEUTRAL, AND CUSTOMER CONNECTION OPENING.



DIMENSIONS: MM [INCH]

32 et 38 kW

configuration de l'installation

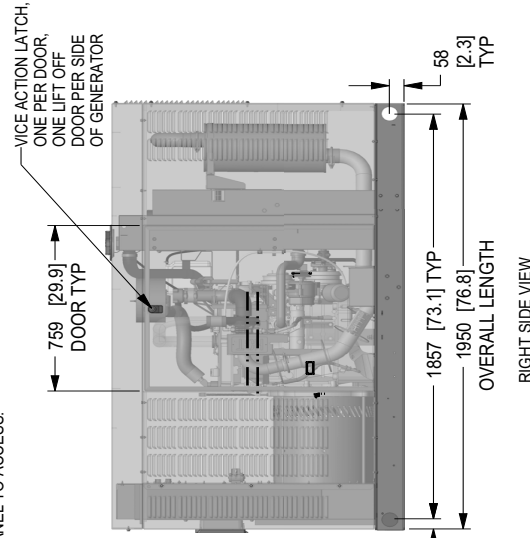
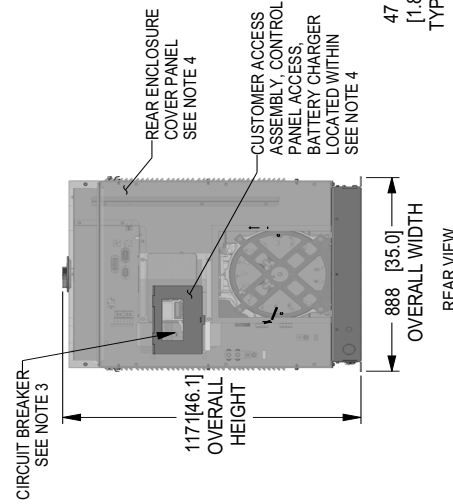
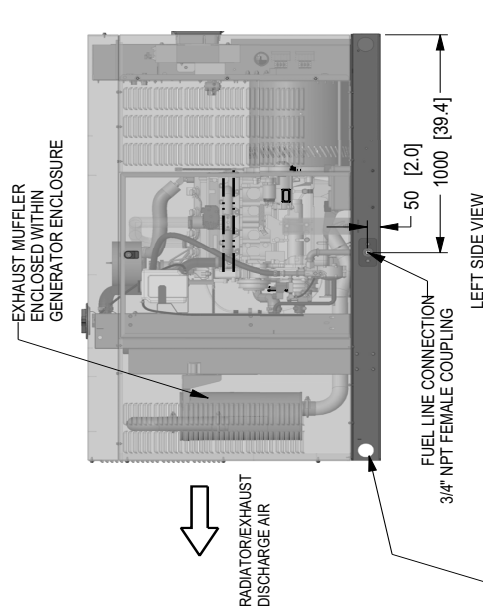
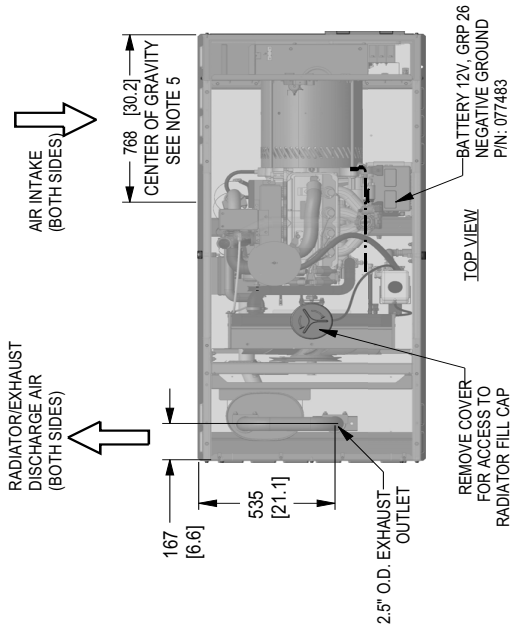
Dessin n° 0K9268-B (1 de 2)

NOTES:

1. MINIMUM RECOMMENDED CONCRETE PAD SIZE: 1194 (47") WIDE X 2255 (88.8") LONG. REFERENCE INSTALLATION GUIDE SUPPLIED WITH UNIT FOR CONCRETE PAD GUIDELINES.
2. ALLOW SUFFICIENT ROOM ON ALL SIDES OF THE GENERATOR FOR MAINTENANCE AND SERVICING. THIS UNIT MUST BE INSTALLED IN ACCORDANCE WITH CURRENT APPLICABLE NFPA 37 AND NFPA 70 STANDARDS AS WELL AS ANY OTHER FEDERAL, STATE, AND LOCAL CODES.
3. CONTROL PANEL / CIRCUIT BREAKER INFORMATION:
 - SEE SPECIFICATION SHEET FOR OWNERS MANUAL
 - ACCESSIBLE THROUGH CUSTOMER ACCESS ASSEMBLY DOOR ON REAR OF GENERATOR.
 4. REMOVE THE REAR ENCLOSURE COVER PANEL TO ACCESS THE STUB-UP AREAS AS FOLLOWS:
 - HIGH VOLTAGE CONNECTION INCLUDING AC LOAD LEAD CONDUIT CONNECTION, NEUTRAL CONNECTION, AND BATTERY CHARGER (20 VOLT AC (0.5 AMP MAX) CONNECTION).
 - LOW VOLTAGE CONNECTION INCLUDING TRANSFER SWITCH CONTROL WIRES.
 5. CENTER OF GRAVITY AND WEIGHT MAY CHANGE DUE TO UNIT OPTIONS.
 6. BOTTOM OF GENERATOR SET MUST BE ENCLOSED TO PREVENT PEST INTRUSION AND RECIRCULATION OF DISCHARGE AIR AND/OR IMPROPER COOLING AIR FLOW.
 7. REFERENCE OWNERS MANUAL FOR LIFTING WARNINGS.
 8. MOUNTING BOLTS OR STUDS TO MOUNTING SURFACE SHALL BE 5/8-11 GRADE 5 (USE STANDARD SAE TORQUE SPECS)
 9. MUST ALLOW FREE FLOW OF INTAKE AIR, DISCHARGE AIR AND EXHAUST. SEE SPEC SHEET FOR MINIMUM AIR FLOW AND MAXIMUM RESTRICTION REQUIREMENTS.
 10. GENERATOR MUST BE INSTALLED SUCH THAT FRESH COOLING AIR IS AVAILABLE AND THAT DISCHARGE AIR FROM RADIATOR IS NOT RECIRCULATED.
 11. EXHAUST MUFFLER AND FAN BELT ARE ENCLOSED WITHIN GENERATOR ENCLOSURE. REMOVE FRONT PANEL TO ACCESS.

SERVICE ITEM	2.4L
OIL FILL CAP	ETHER SIDE
OIL DIP STICK	RIGHT SIDE
OIL FILTER	RIGHT SIDE
OIL DRAIN HOSE	RIGHT SIDE
RADIATOR DRAIN HOSE	LEFT SIDE
COOLANT RECOVERY BOTTLE	LEFT SIDE
RADIATOR FILL CAP ACCESS	ROOF TOP
AIR CLEANER ELEMENT	RIGHT SIDE
SPARK PLUGS	SEE NOTE 11
MUFFLER	LEFT SIDE
DRIVE BELT	SEE NOTE 11
FAN BELT	SEE NOTE 11
BATTERY	LEFT SIDE

REFERENCE OWNERS MANUAL FOR PERIODIC REPLACEMENT PART LISTINGS.



WEIGHT DATA			
ENGINE/KW	ENCLOSURE MATERIAL	WEIGHT GENSET ONLY KG [LBS]	WEIGHT SHIPPING SKID KG [LBS]
2.4L 32KW	AL	596 [1225]	44 [98]
2.4L 38KW	AL	560 [1235]	44 [98]
			606 [1333]

DIMENSIONS: MM (INCH)

LIFTING PROVISIONS (4 PLACES) SEE NOTES 5, 7 AND CENTER OF GRAVITY DIMENSIONS

